

## Drake® Transitional Two-Piece Toilet, 1.28 GPF

### FEATURES

- TORNADO FLUSH® system, high-efficiency (1.28 GPF/4.8 LPF)
- Transitional style tank
- CEFIONTECT® ceramic glaze minimizes waste from sticking to porous ceramic surfaces.
- Elongated front bowl and seat
- Chrome plated trip lever
- 12" Rough-in, supply line sold separately

### MODELS

- MS786124CEG (#01)  
With CEFIONTECT ceramic glaze & includes SS124 SoftClose® seat

### COMPONENTS

- C776CEGT40  
Elongated bowl with CEFIONTECT
- ST786EA  
Tank and cover only
- SS124  
SoftClose seat

### OPTIONAL COMPONENTS

- THU398(#01, #PN, #BN)  
Trip Lever - Cotton, Polished Nickel, Brushed Nickel

### COLORS/FINISHES

- #01 Cotton



 **TORNADO FLUSH**

 **CEFIONTECT**

### PRODUCT SPECIFICATION

The two-piece high-efficiency TORNADO FLUSH system toilet shall be 1.28 GPF/4.8 LPF. Toilet shall have CEFIONTECT ceramic glaze and be at Regular Height. Toilet shall have high-profile tank, elongated front bowl, SoftClose seat and Chrome trip lever. Toilet shall be TOTO Model MS786124CEG#01.

### CODES/STANDARDS

- Meets and exceeds ASME A112.19.2/CSA B45.1
- Certifications: IAPMO(cUPC®), EPA WaterSense, State of Massachusetts, City of Los Angeles, and others
- Code Compliance: UPC, IPC, NSPC, NPC Canada, and others
- Legislative Compliance: California Green Building Code, City of Los Angeles Water Efficiency Ordinance, and others
- Complies with CA Prop 65 warning requirements



# MS786124CE(G)

## Drake® Transitional Two-Piece Toilet, 1.28 GPF

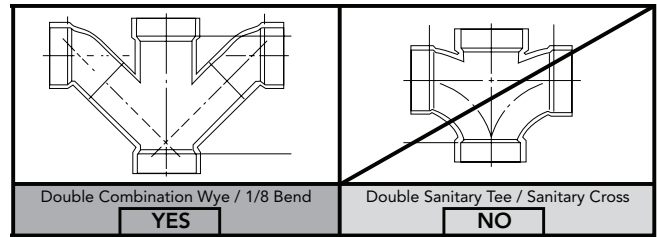
### SPECIFICATIONS

<b>Water Use</b>	1.28 GPF (4.8 LPF)
<b>Flush System</b>	TORNADO FLUSH®
<b>Min. Water Pressure</b>	8 psi (Flowing)
<b>Water Surface</b>	9" x 6-7/8"
<b>Trap Diameter</b>	2-1/8"
<b>Rough-in</b>	12"
<b>Trap Seal</b>	2-1/8"
<b>Warranty</b>	One Year Limited Warranty
<b>Material</b>	Vitreous China
<b>Shipping Weight</b>	C776CEGT40 57 lbs. ST786EA 34 lbs.
<b>Shipping Dimensions</b>	C776CEGT40 29-3/4" L x 15" W1 x 10-5/8" W2 x 16-1/4" H ST786EA 20" L x 9-3/8" W x 15-5/8" H

### INSTALLATION NOTES

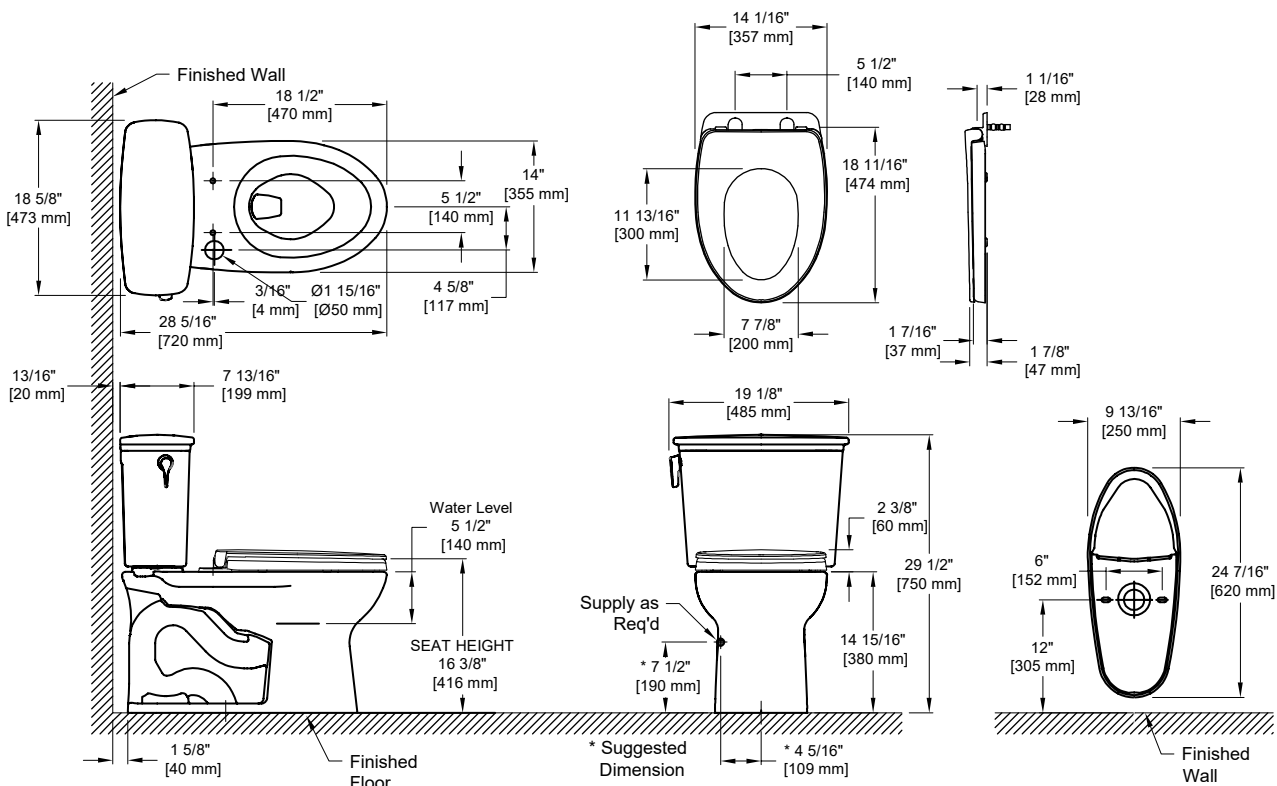
#### Back-to-Back Toilet Installations:

TOTO recommends the use of a nationally listed, double sanitary tee-wye only, in vertical waste stacks, in accordance with the stipulations noted in the majority of nationally recognized plumbing codes.



To maintain adequate wall gap between the back of the tank and wall, mount the floor flange at a nominal 12" rough-in distance.

### DIMENSIONS



**TOTO®**

*These dimensions and specifications are subject to change without notice*