

LB Three-Hole Roman Tub Filler Trim

FEATURES

- Lever handles
- Brass construction
- For use with three-hole roman tub filler rough-in (TBN01201U)
- Tub filler rough-in sold separately

REQUIRED COMPONENTS (Sold Separately)

- **TBN01201U**
Three-Hole Roman Tub Filler Rough-In

COLORS/FINISHES

- #CP Polished Chrome

PRODUCT SPECIFICATION

Tub filler trim shall have a brass construction. Product shall have lever handles. Product requires TBN01201U rough-in, sold separately. Product shall be TOTO Model TBS01201U#_____.

CODES/STANDARDS

- Meets or exceeds ASME A112.18.1/CSA B125.1
- Certifications: IAPMO(cUPC), State of Massachusetts and others
- Code Compliance: UPC, IPC, NSPC, NPC Canada, and others
- ADA Compliant
- Complies with CA Prop 65 warning requirements

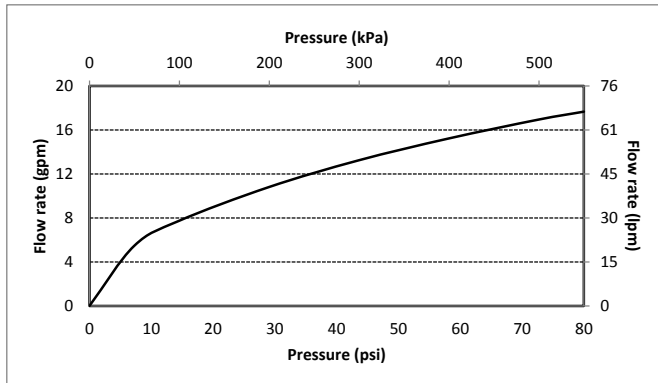


TBS01201U

LB Three-Hole Roman Tub Filler Trim

SPECIFICATIONS

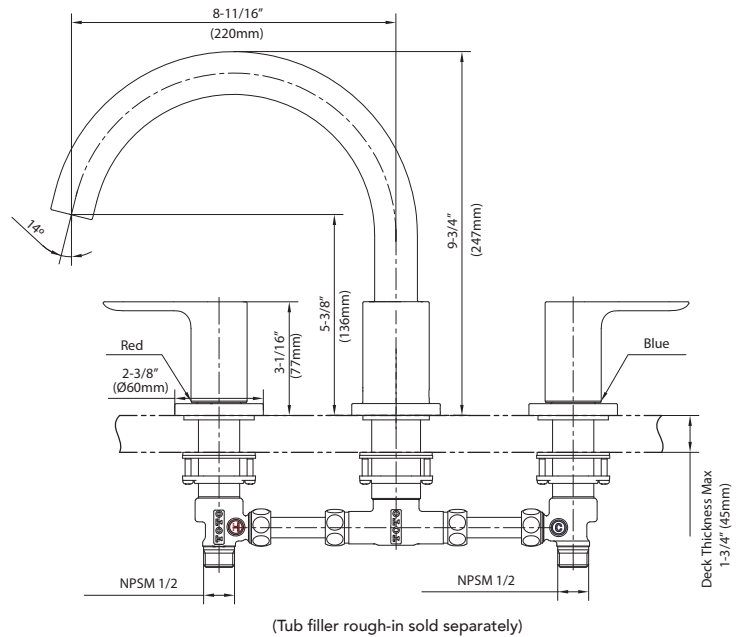
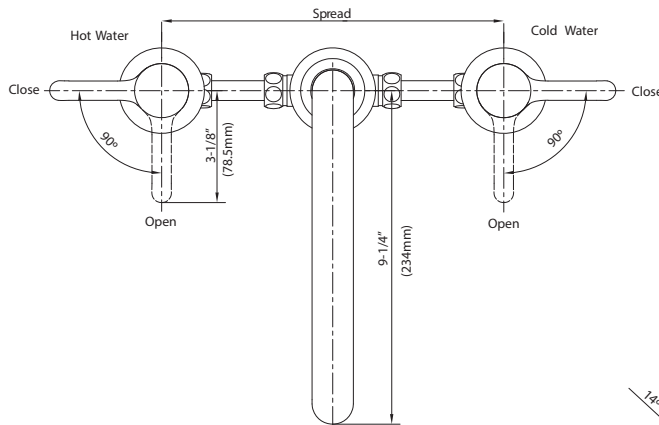
Material	Brass
Warranty	Lifetime Limited Warranty (Residential Use) One Year (Commercial Use)



INSTALLATION NOTES

- Check local codes for requirements on installing an ASSE 1070/ASME A112.1070/CSA B125.70 compliant device in series with the tub filler
- Three-hole roman tub filler rough-in TBN01201U sold separately
- Please refer to the TBN01201U spec sheet for more required installation details

DIMENSIONS



TOTO®

These dimensions and specifications are subject to change without notice

Ph: (888) 295-8134 | Fax: (800) 699-4889 | www.totousa.com | © TOTO USA

SS-01489 v.01