

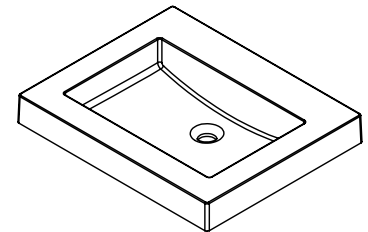
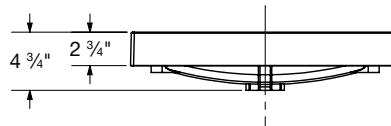
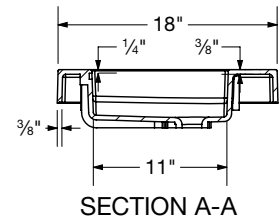
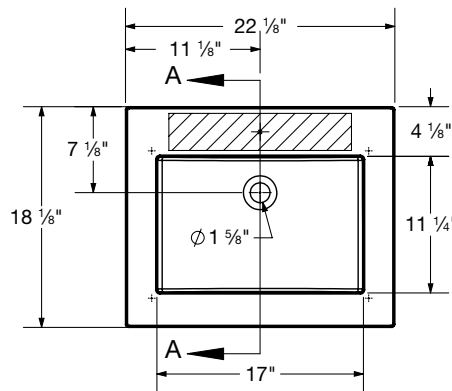
Swanstone Vessel Sink

Manufactured from Swanstone Solid Surface

Recommended for high-use traffic areas and commercial surfaces.

FEATURES

- Reinforced solid surface means color and texture run all the way through and cannot wear away.
- Coordinates with other Swanstone products.
- Chemical resistant—acetone will not harm.
- Undrilled deck allows for any faucet size or position.
- Heat, stain and scratch resistant for lasting beauty.
- Top mount style bowl installs into most countertop materials, including solid surface, tile and granite.
- ADA-compliant when installed to ADA guidelines.
- Warranty: Limited Lifetime – Residential
Limited 30-year – Commercial



SPECIFICATIONS

Model	Part	Nominal Dimensions	Ship Wt. Lb.	Ship FedEx	Carton Dims. In.	Cu. Ft.
WB-02218	WB02218	22 1/8" D x 18 1/8" W	10	FedEx	27 x 23 x 9	3.04

Includes: One compression-molded vanity bowl.

Packaging: Each unit is packed in a rectangular carton.

COLORS

Solid Colors:

- White (010)
- Bisque (018)
- Bone (037)

Aggregate Colors:

- Bermuda Sand (040)
- Black Galaxy (015)
- Carrara (221)
- Concrete Ash Gray (203)
- Concrete Birch (226)
- Concrete Charcoal Gray (209)
- Concrete Clay (212)
- Concrete Limestone (218)
- Concrete Sandstone (215)
- Ice (130)
- Tahiti White (011)

STANDARDS AND RATINGS

American National Standard Institute—ANSI Z124.3

International Association of Plumbing and Mechanical Officials (IAPMO)—Listed
cUPC listed—Certified to CSA Test Standard B45.5 by IAPMO

Uniform Plumbing Code (UPC)

For a complete list of tests and results see the Technical Data Sheet.

MAINTENANCE AND CLEANING INFORMATION

Cleaning regularly with common household liquid cleaners is recommended. If necessary abrasive liquids or detergents are safe and effective for use with nylon scouring pads, sponges, Mr. Clean® Magic Eraser® or other similar products. Mineral-stain removers are acceptable as well. **Do not** use metal scouring pads.

SUPPORT DOCUMENTS

Installation instructions available at swanstone.com.