



Ensemble™

60" Curve End Drain Shower

72170110



Features

- Alcove installation
- 4" threshold
- Solid Vikrell material
- Durable high-gloss finish
- Left drain
- Three-piece, tongue-and-groove walls with snap-together installation
- Some caulk required
- Convenient shelves, shaving ledge/footrest

Included Components

Product consists of:

- 72232100 60" Shower Back Wall
- 72171110 60" x 30" Shower Receptor
- 72175100 60" x 30" Shower End Wall Set



Codes/Standards



CSA B45.5/IAPMO Z124
ASTM E162
ASTM E662
Greenguard UL 2818 - Gold
HUD, UM Bulletin 73

Warranty – Bathing Fixtures (and) Kitchen and Utility Sinks Made of Solid Vikrell® Material

See website for detailed warranty information.

Available Colors/Finishes

Color tiles intended for reference only.

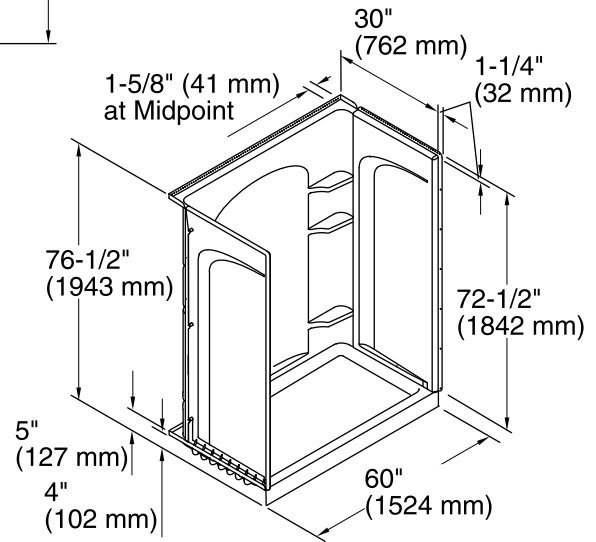
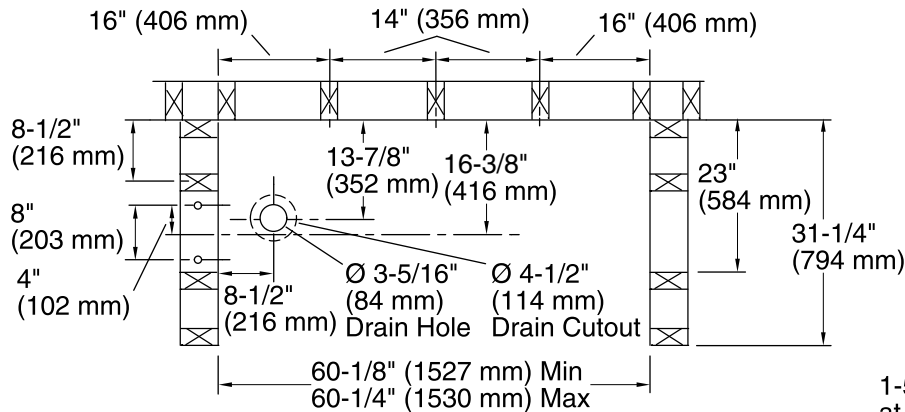
Color	Code	Description
	0	White
	96	KOHLER Biscuit

1-800-STERLING (1-800-783-7546)

Kohler Co. reserves the right to make revisions without notice to product specifications.

For the most current Specification Sheet, go to www.sterlingplumbing.com.

4-26-2019 00:41 - US



Technical Information

All product dimensions are nominal.

Installation: Three-wall alcove

Drain location: Left

Minimum flat for door: 3" (76 mm)

Threshold height: 4" (102 mm)

Maximum door height: 70-1/2" (1791 mm)

Maximum door width: 56-5/8" (1438 mm)

Notes

Install this product according to the installation instructions.

Studs should be positioned roughly as shown.

Double studding is recommended for pivot shower door installations.