



Traverse®

60" x 32 bath/shower with AIP backerboards
71520126



Features

- Tongue-and-groove modular design allows for easy installation during any phase of construction.
- Modern subway tile design.
- Full-length shelf provides generous storage.
- Easy-to-clean, durable high-gloss finish.

Material

- Compression molded from our exclusive solid Vikrell® material.

Installation

- Pro4™ installation system features a two-piece back wall design, enabling one-person handling and installation.
- Alcove.
- Caulk-free installation.
- Right drain.

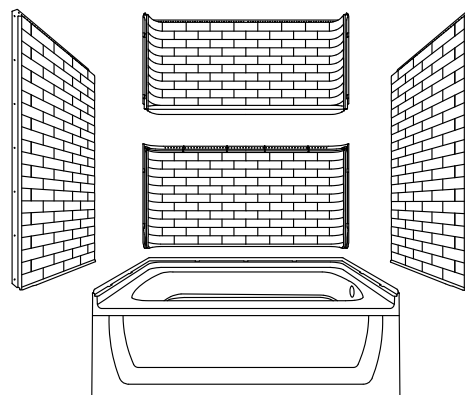
Recommended Products/Accessories

K-23726 Drain treatment

Included Components

Product consists of:

71524106
71121120



ADA

Codes/Standards



CSA B45.5/IAPMO Z124
ASTM E162
ASTM E662
ADA
ICC/ANSI A117.1
HUD, UM Bulletin 73

STERLING® Vikrell® or Acrylic Baths and Shower Bases Ten-Year Limited Warranty

See website for detailed warranty information.

Available Colors/Finishes

Color tiles intended for reference only.

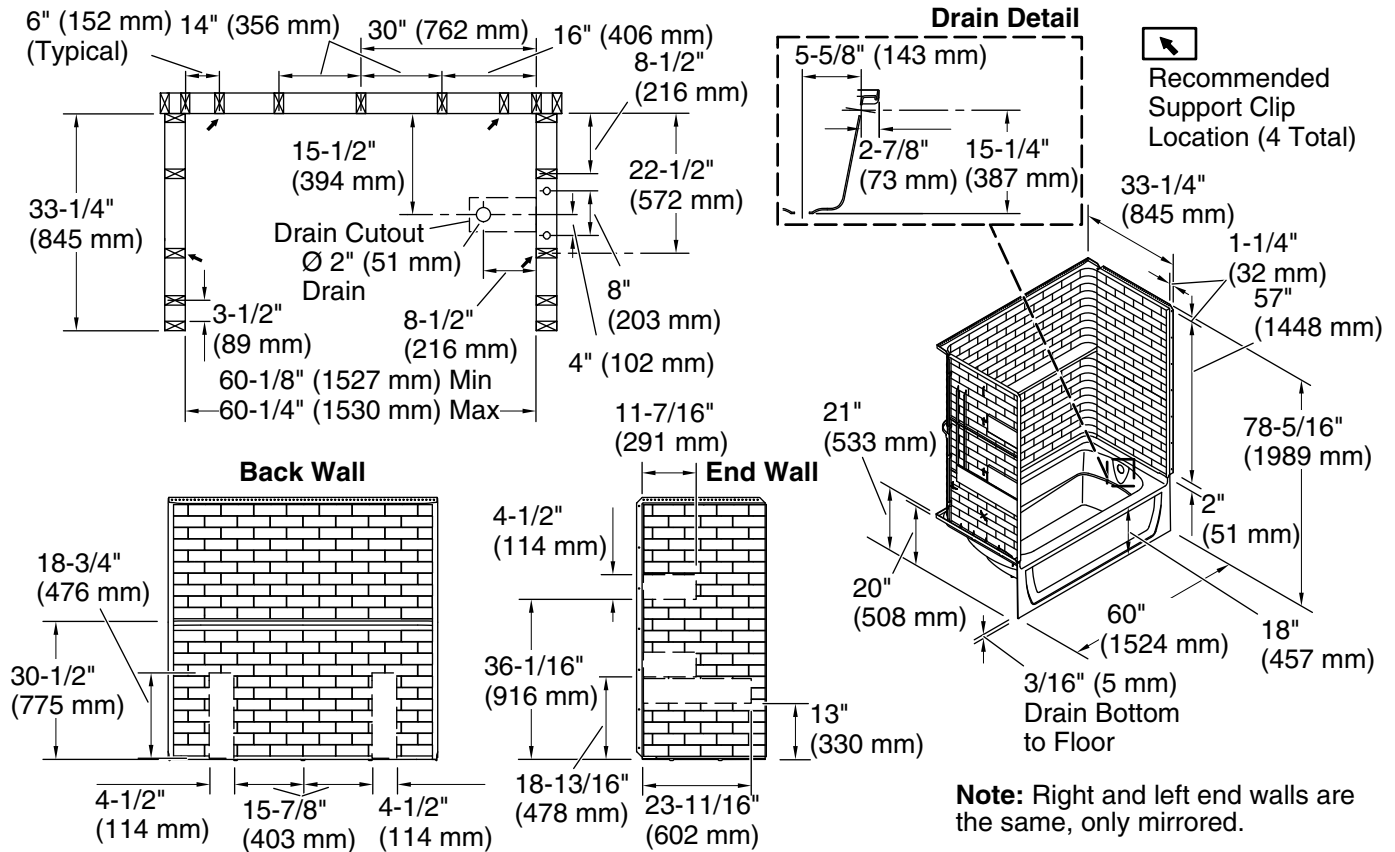
Color	Code	Description
	0	White
	96	KOHLER Biscuit

1-800-STERLING (1-800-783-7546)

Kohler Co. reserves the right to make revisions without notice to product specifications.

For the most current Specification Sheet, go to www.sterlingplumbing.com.

12-29-2021 10:38 - US/CA



Technical Information

All product dimensions are nominal.

- Installation: Three-wall alcove
- Maximum door height: 58-3/4" (1492 mm)
- Maximum door width: 57-5/8" (1464 mm)

Notes

- Install this product according to the installation instructions.
- Studs should be positioned roughly as shown.
- ADA compliant when installed to the specific requirements of these regulations.