

Kubos™ Pressure Balance Diverter Valve Trim

FEATURES:

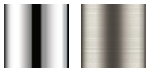
- Metal lever handles
- Metal trim plate
- Includes mounting plate and hardware

VALVE OPTIONS:

- CPV-PB-DV: Diverter Pressure Balance Valve
Sweat & Thread Connections
- CPV-PB-DV-PXC: Diverter Pressure Balance Valve
PEX F1807 Crimp Inlet Connections
- CPV-PB-DV-PXE: Diverter Pressure Balance Valve
PEX F1960 Cold-Expansion Inlet
Connections
- CPV-T-DV: Diverter Thermostatic Valve
Sweat & Thread Connections
- CPV-T-DV-PXC: Diverter Thermostatic Valve
PEX F1807 Crimp Inlet Connections
- CPV-T-DV-PXE: Diverter Thermostatic Valve
PEX F1960 Cold-Expansion Inlet
Connections



STOCK FINISH:



PC BN

SPECIALTY FINISHES:



BBZ MB ORB PB PN

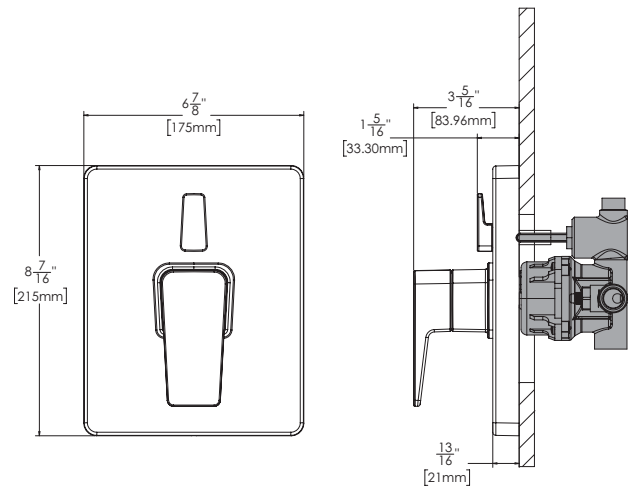
STANDARDS:

- ASME A112.18.1/CSA B125.1 certified
- ADA compliant

WARRANTY:

Visit www.speakman.com for full product warranty information

- Limited Lifetime Warranty (consumer)
- 5 Year Limited Warranty (commercial)



VALVE MOUNTING IS SHOWN FOR REFERENCE ONLY.
VALVE IS NOT INCLUDED WITH CPT-24000

All dimensions are in inches (millimeters) unless otherwise specified and are subject to change without notice.

Architect/Engineer Approval Space:

P: 800-537-2107
F: 800-977-2747
W: WWW.SPEAKMAN.COM
R: 03-NOVEMBER 2019