

SPEAKMAN® S-256O

Kubos™ Arm and Flange

FEATURES:

- Stainless steel shower arm & metal wall flange
- 5 in. length
- 1/2 in. NPT inlet and outlet

FINISH:



PC BN

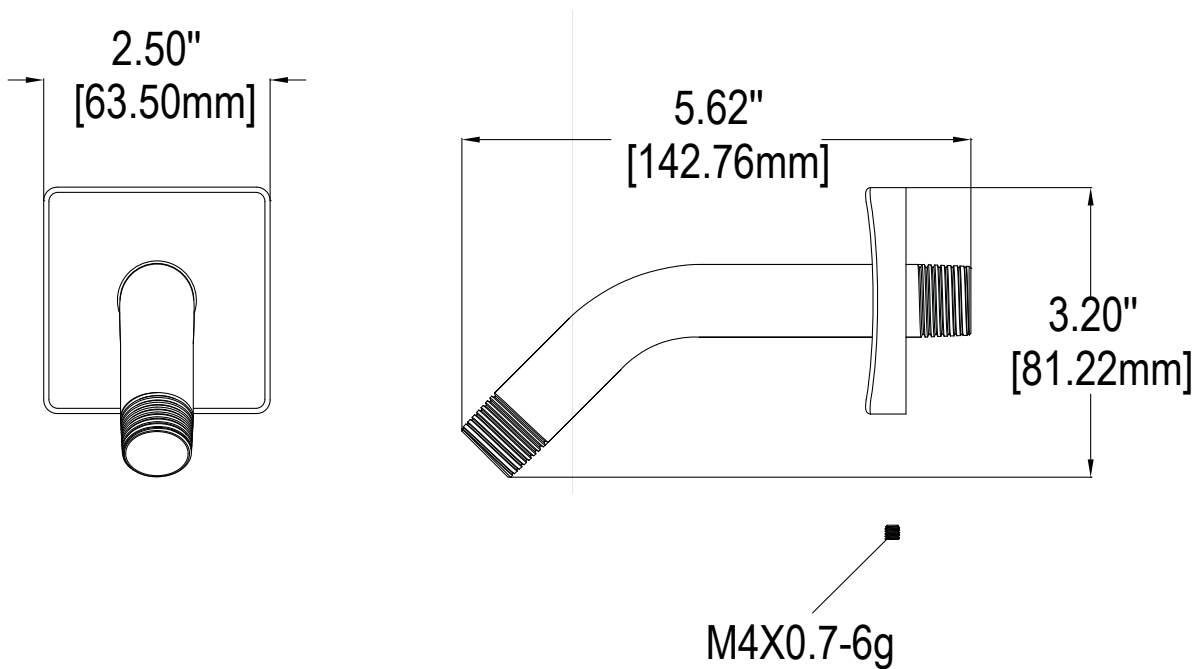
WARRANTY:

- 1 year limited



DIMENSIONS:

NOTE: 1. All dimensions are in inches (millimeters) unless otherwise specified and are subject to change without notice.



Architect/Engineer Approval Space:

SPEAKMAN
400 ANCHOR MILL ROAD
NEW CASTLE, DE 19720

P: 800-537-2107
F: 800-977-2747
W: WWW.SPEAKMAN.COM
R: OCTOBER 2017