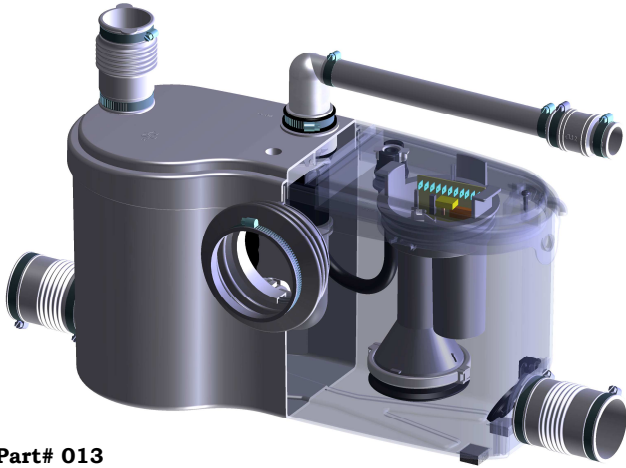


External Units - Grinders

Sanibest Pro



Part# 013

The Sanibest Pro is a system that is used to install a complete bathroom up to 25 feet below the sewer line, or even up to 150 feet away from a soil stack. The Sanibest Pro can handle the effluent from a toilet, sink, bathtub, shower and washing machine (indirect connection).

While most of our pump range consists of shredders/macerators, the Sanibest Pro incorporates an actual grinder system. The Sanibest Pro is ideal for situations where you do not control the use of it (ie. rental unit, offices, warehouses, etc). The Sanibest Pro is designed to deal with sanitary napkins that may have been flushed down the toilet; such may consist of condoms, sanitary napkins, q-tips, dental floss, etc.

Note: In commercial installations, plumbing codes require an elongated bowl (ADA) to be installed with this system.

The inside of the Sanibest Pro comprises of a pressure chamber, which starts and stops the unit, and the motor, which drives the stainless steel cutting blade and the pump. When the flush is activated, the water flowing into the Sanibest Pro activates a micro switch in the pressure chamber, which in turn starts the motor. The motor is sealed for life in an oil filled enclosure. A common spindle/shaft drives the impeller and the blades. The moving parts therefore are kept to an absolute minimum. Water and organic waste matter, enter the chamber and are reduced to slurry as the blades rotate at 3600 RPM. The reduced solids are picked up at the bottom and the impeller mounted beneath the motor ejects the waste. The unit pumps the effluent upward to 25 feet and/or 150 feet horizontally (with gravity fall). Once the water level in the container goes down, the micro switch deactivates. A normal operating cycle for the Sanibest Pro takes about 10 - 15 seconds depending upon the discharge pipe run configuration.

In addition, the Sanibest Pro will also discharge gray water from a variety of other sanitary fixtures such as: a sink, a bath/shower, a urinal and even a washing machine (indirect connection). When adding a bathtub/shower, a base will have to be constructed. This base should be made out of a 2" x 6" (minimum) or 2" x 8" (recommended) on edge, to allow for the installation of a P-trap and the required 1/4" per foot gravity flow towards the pump unit.

The wastewater from other sanitary fixtures is discharged into the Sanibest Pro via two 2-inch inlets on either side of the housing. The discharge elbow on top of the Sanibest Pro can be rotated 360 degrees depending on the discharge installation. A non-return valve (included in assembly) prevents back flow into the unit.

This unit has been designed with a vent connection on the lid. All plumbing codes require connection to a vent system. Please note that the vent system should be a two-way air vent. The use of mechanical vents, air admittance valves or similar devices are not permitted as these are considered one-way air vent systems. It is highly recommended for the system to be connected to a Ground Fault Interrupter (GFI) circuit.

Periodic maintenance can be accomplished easily without having to disconnect the unit from either the toilet or the rest of the plumbing system. Through a service panel, a service contractor can easily access the electrical components as well as the level sensor mechanism of the pump.

The Sanibest Pro unit must be connected to our rear discharge toilet. This system uses much less water than a regular toilet.

The Sanibest Pro has been certified to American and Canadian Standards. Macerating standard; US: CSA Certified & IAPMO (UPC) listed - ASME A112.3.4, CA: Macerating Standard CSA B45.9.

All items may be purchased separately. However, the Sanibest Pro works as a system and therefore a toilet bowl (003 or 007), toilet tank (005) and the grinder unit (013) need to be purchased. An optional extension pipe (030) is available for the pump to be installed behind the wall.



Specifications:

Dimensions:	Including Pump Only H 10-1/2" x W 20-5/16" x D 8" H 26.8cm x W 52cm x D 20.5cm
Motor:	Induction Motor (no carbon brushes or gears), tested over 50,000 cycles. 3600 rpm.
Electrical supply:	110-115V; 60Hz; Max Amperage: 9.0 amps; 1 HP
Discharge:	Pumps vertically to 25 ft (7.6 m) Horizontally to 150 ft (50m)
Gravity Fall on Horizontal installations:	1/4" per Ft
Discharge Pipe Diameter:	3/4"
Construction Materials:	Polypropylene, C.R.P., stainless steel, Neoprene Max. temp. 104°F (40°C)
Normal Running Time:	10-15 seconds subject to installation pipe run
Water per Flush:	1.6 US gal (6 liters) or 1.28 US gal (4.8 liters)
Discharge Rate:	Discharge Rate at 25 Ft – 19 gal/min (72 l/m) Discharge Rate at 3 Ft - 38 gal/min (145 l/m)
Designed to function with:	Toilet, Sink, Shower, Bathtub, Washing Machine (must drain into laundry sink first).

