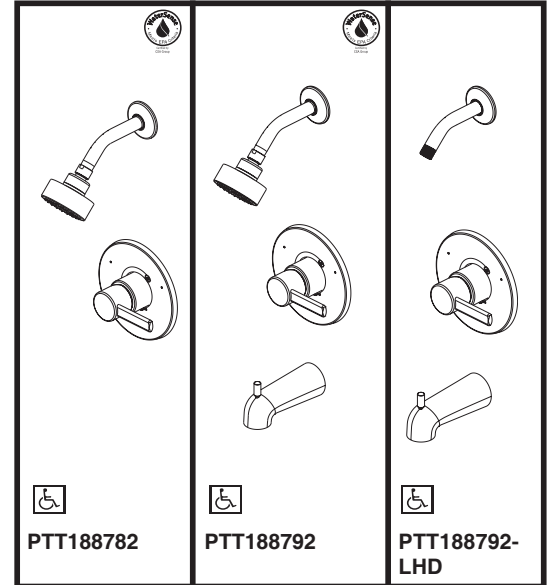
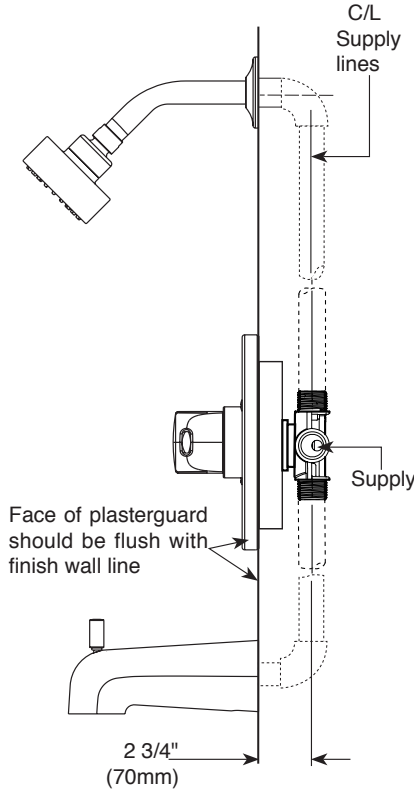
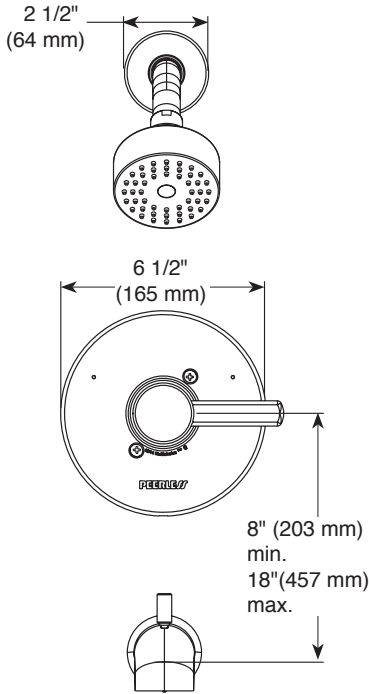


PEERLESS®

PTT188782
PTT188792
PTT188792-LHD



TUB AND SHOWER FAUCET

- Shower Only (PTT188782 Series)
- Tub/Shower (PTT188792 Series)

STANDARD SPECIFICATIONS:

- Maintains a balanced pressure of hot and cold water even when a valve is turned on or off elsewhere in the system.
- For use with MultiChoice® Universal rough valve body. (R10000 Series)
- Tub/Shower. Requires 1 1/2" wall cavity.
- Back-to-back installation capability.
- Forged brass body.
- Cartridge utilizes integral check valves to prevent the cross flow of water within the valve.
- Field adjustable means to limit handle rotation into hot water zone.
- Red/blue markings on escutcheon for hot/cold identification.
- Temperature control to rotate a maximum of 120° from full cold to the maximum temperature.
- Temperature only controlled with handle.
- "-LHD" models indicate less showerhead.
- Showerhead maximum flow rate is 2.00 gpm @ 80 psi, 7.60 L/min @ 550 kPa.

WARRANTY:

- Lifetime limited warranty on parts (other than electronic parts and batteries) and finishes; or, for commercial users, for 5 years from the date of purchase.
- 5 year limited warranty on electronic parts (other than batteries); or for commercial users, for 1 year from the date of purchase. No warranty is provided on batteries.



COMPLIES WITH

- ASME A112.18.1 / CSA B125.1
- EPA WaterSense®



Indicates compliance to ICC/ANSI A117.1 - Valve control only

