

# SUTTON

## Toilet Tissue Holder **35-28**

### Features

- Solid brass construction
- Double-post design with spring-loaded roller
- Complements Sutton product series

### Codes / Standards Compliance

Meets or exceeds the following at date of manufacture:

- All applicable US Federal and State material regulations



### Colors / Finishes

- 10B: Oil Rubbed Bronze
- 15: Polished Nickel
- 15S: Satin Nickel - PVD
- 26: Polished Chrome
- Other: Refer to the Newport Brass catalog for additional color/finish options.

### Specified Model

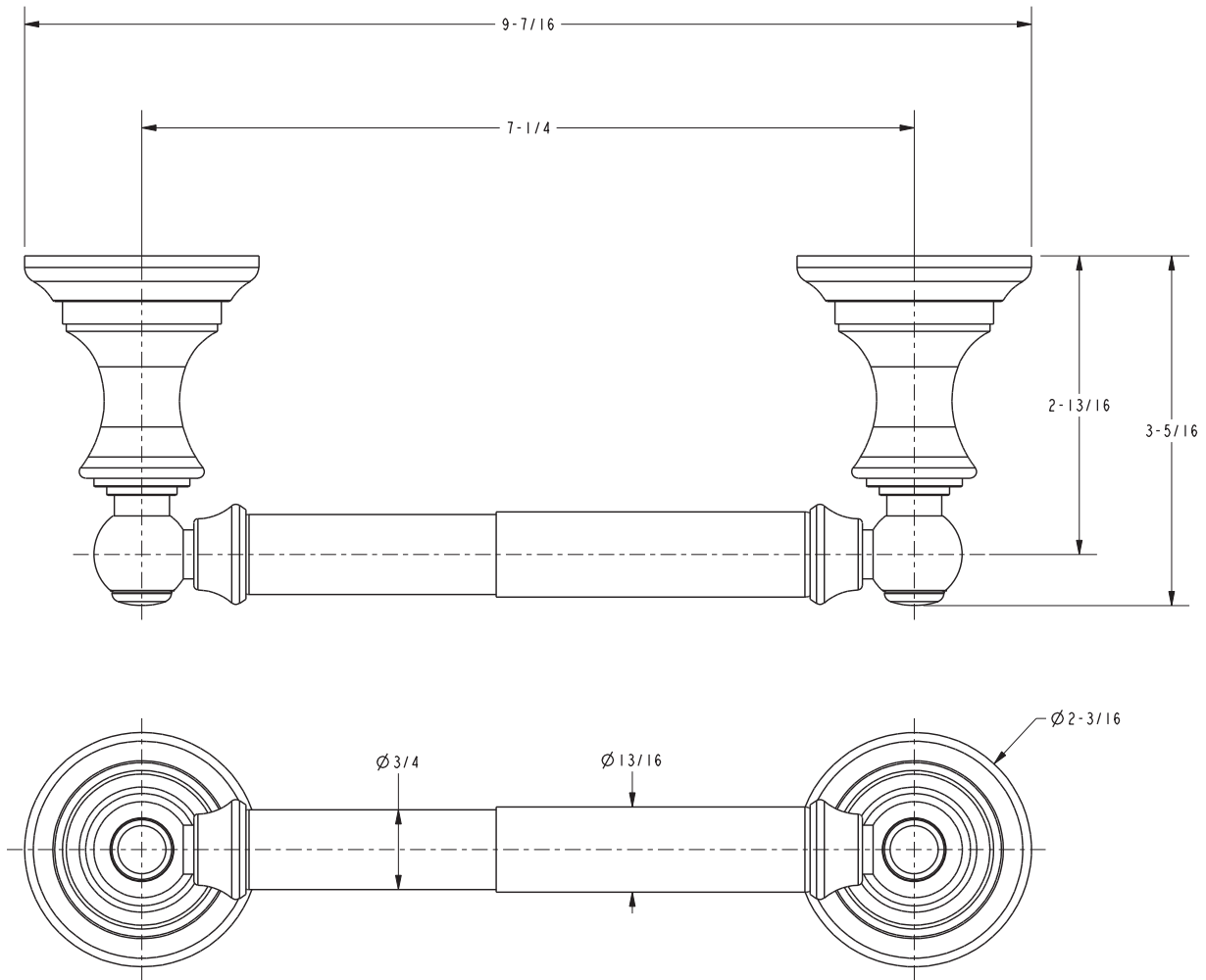
Model	Description	Colors   Finishes
35-28	Toilet Tissue Holder	<input type="checkbox"/> 10B <input type="checkbox"/> 15 <input type="checkbox"/> 15S <input type="checkbox"/> 26 <input type="checkbox"/> Other

### Product Specification: Add "Color / Finish" suffix to Model number, below.

The Toilet Tissue Holder shall be made of solid brass construction and incorporate a double-post, spring-loaded roller design. Toilet Tissue Holder shall complement Newport Brass Sutton product series. Toilet Tissue Holder shall be Newport Brass Model 35-28/\_\_\_\_\_.

# 35-28

## PRODUCT DIMENSIONS *(Units are in inches)*



### Sutton Toilet Tissue Holder 35-28