

**Features**

- Solid brass construction
- Brass valve bodies
- Quarter-turn washerless ceramic disc valve cartridges
- Swivel spout assembly with two-function, toggle-control spray engine
- Magnetic docking system secures spray engine to spout
- 8.14" (20.7 cm) spout height at outlet
- 8.58" (21.8 cm) spout reach (c-c)
- For 8" (20.3 cm) centers
- ADA Compliant (Handles Only)
- 1.8 GPM (6.8 LPM) Max

**Two-Handle Bridge Faucet with Pull-Down**  
**2470-5463**



**Codes / Standards Compliance**

Meets or exceeds the following at date of manufacture:

- ASME A112.18.1/CSA B125.1
- IAMPO/cUPC
- NSF/ANSI/CAN 61, SECTION 9
- NSF/ANSI 372
- IPC
- ADA & ICC/ANSI A117.1 (Handle Only)
- Energy Policy Act of 1992
- ASME A112.18.3 (Back Flow)
- All applicable US Federal and State material regulations



**Colors / Finishes**

- 10B: Oil Rubbed Bronze
- 15: Polished Nickel
- 15S: Satin Nickel - PVD
- 26: Polished Chrome
- Other: Refer to the Newport Brass catalog for additional color/finish options.

**Specified Model**

Model	Description	Colors   Finishes
2470-5463	Two-Handle Bridge Faucet with Pull-Down	<input type="checkbox"/> 15 <input type="checkbox"/> 15S <input type="checkbox"/> 26 <input type="checkbox"/> Other

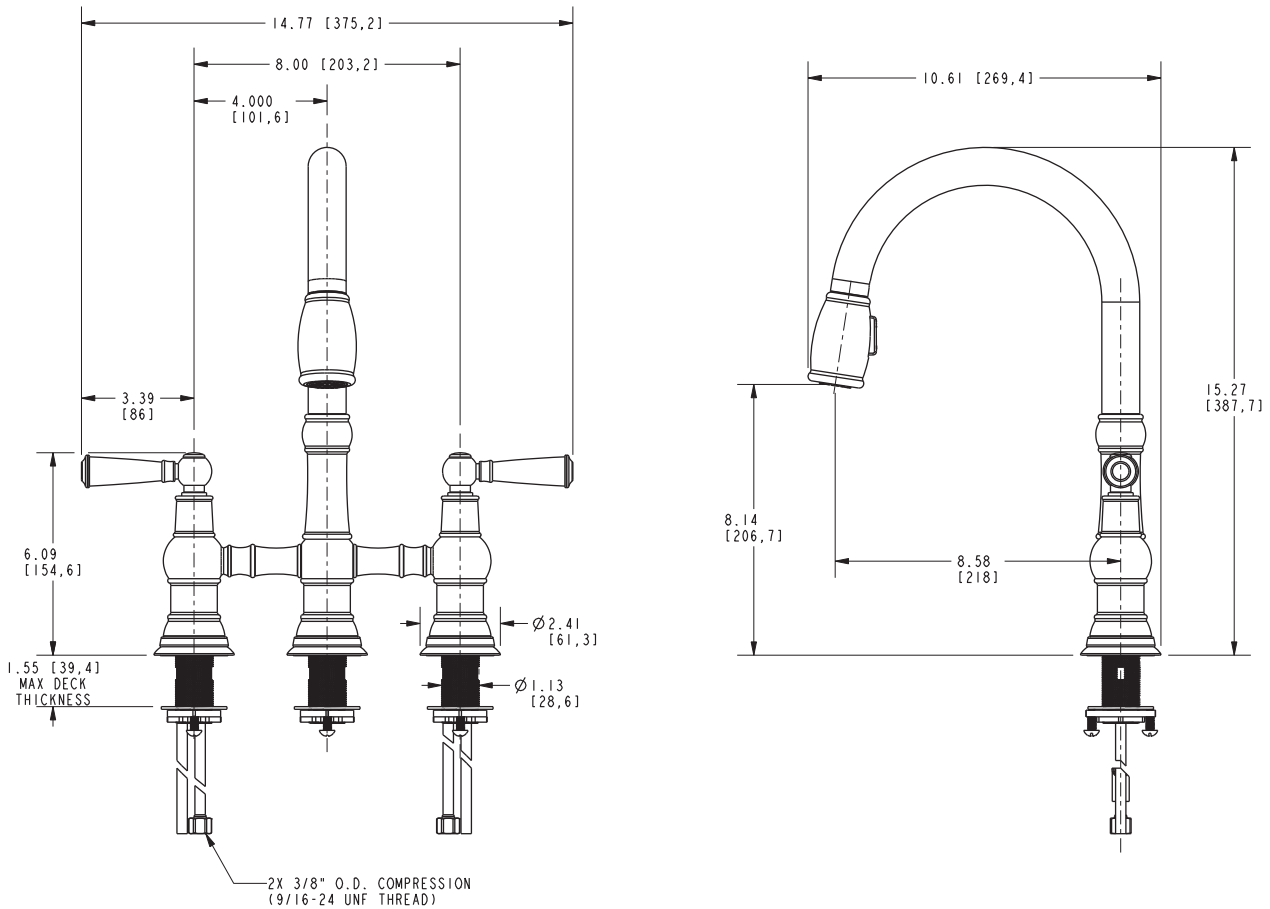
**Product Specification** Add "Color / Finish" suffix to Model number, below.

The Two-Handle Bridge Kitchen Faucet with Pull-Down shall be made of solid brass construction. Faucet shall incorporate a swivel spout assembly with integral two-function, toggle-control spray engine and feature brass valve bodies with quarter-turn washerless ceramic disc valve cartridges. Faucet shall have a 1.8 gallons (6.8 liters) per minute maximum flow rate. Product shall be for 8" (20.3 cm) centers. Product shall incorporate a 8.14" (20.7 cm) spout height at outlet and a 8.58" (21.8 cm) spout reach (c-c). Faucet shall incorporate lever handles. Bridge Pulldown Kitchen Faucet shall be Newport Brass Model 2470-5463/\_\_\_\_.

# 2470-5463

## PRODUCT DIMENSIONS *(Units are in inches)*

Product Dimensions are provided for reference only. For specific product installation guidelines, please reference the Installation Instructions of the product being installed.



### Jacobean Two-Handle Bridge Faucet with Pull-Down 2470-5463