

EAST LINEAR

Towel Bar 990-1250

Features

- Solid brass construction
- Complements East Linear product series

Codes / Standards Compliance

Meets or exceeds the following at date of manufacture:

- All applicable US Federal and State material regulations



Colors / Finishes

- 10B: Oil Rubbed Bronze
- 15: Polished Nickel
- 15S: Satin Nickel - PVD
- 26: Polished Chrome
- Other: Refer to the Newport Brass catalog for additional color/finish options.

Specified Model

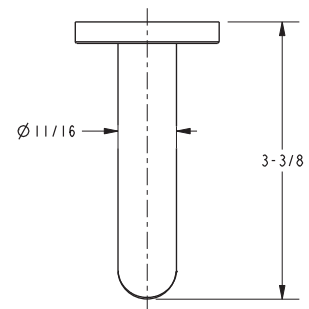
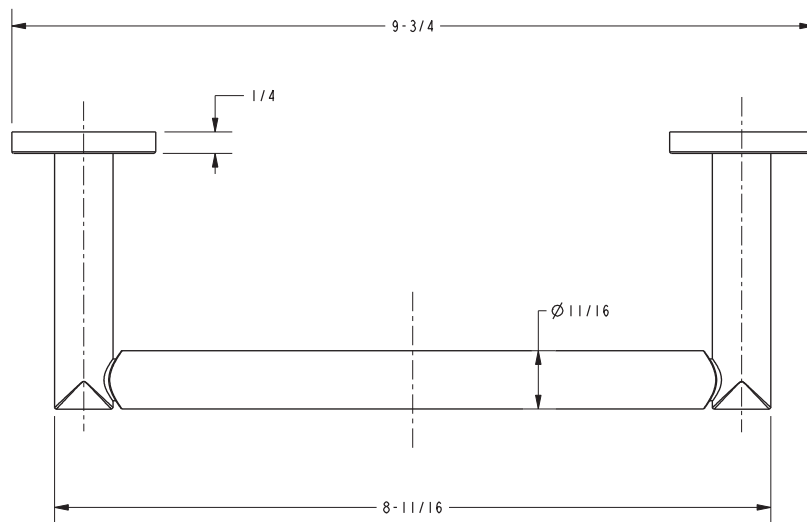
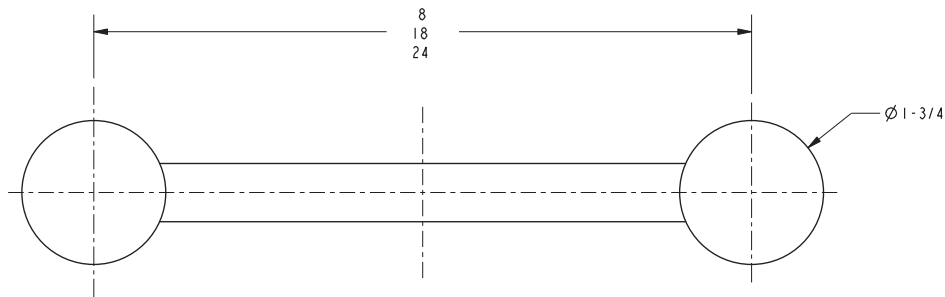
Model	Description	Colors Finishes				
990-1250	24" Towel Bar	<input type="checkbox"/> 10B	<input type="checkbox"/> 15	<input type="checkbox"/> 15S	<input type="checkbox"/> 26	<input type="checkbox"/> Other

Product Specification Add "Color / Finish" suffix to Model number, below.

The Towel Bar shall be made of solid brass construction. Towel Bar shall complement Newport Brass East Linear product series. Towel Bar shall be Newport Brass Model 990-1____/____.

990-1250

PRODUCT DIMENSIONS *(Units are in inches)*



East Linear Towel Bar
990-1250

NEWPORT BRASS
Flawless Beauty. From Faucet to Finish.™