

# Arlys™ Technical Specification

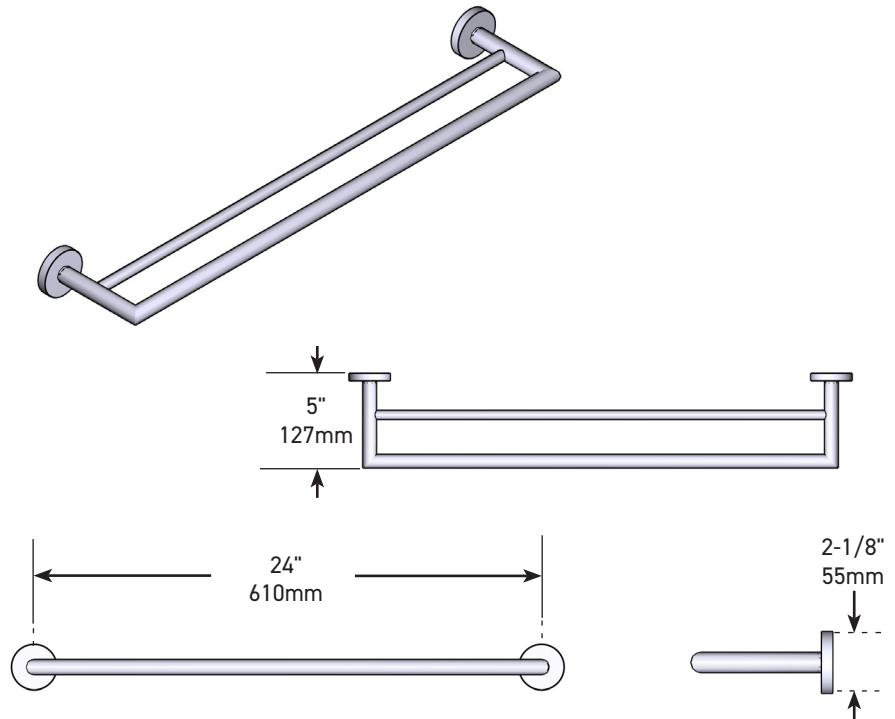
## Double Towel Bar

# Y5722

### Stock Numbers:

- **Y5722CH – Towel Shelf**  
Chrome Finish
- **Y5722BN – Towel Shelf**  
Brushed Nickel Finish
- **Y5722BL – Towel Shelf**  
Matte Black Finish

### Dimensions:



### Materials:

Double Towel Bar is constructed of zinc.

### Installation Instructions:

1. Remove the mounting posts from the body by loosening the set screws.
2. Position the mounting posts on the wall at desired location with notch facing down.
3. One at a time, place each anchor screw through the mounting post, centered in the large hole. Using a Phillips screwdriver, turn the anchor screw while applying pressure. Screw will self drill and tap into drywall. **Do not over tighten.**
4. Place assembly over the mounting post, setscrews facing down.
5. Tighten set screws.

### Cleaning Instructions:

To preserve the fine finish of this product, clean only with a soft damp cloth. Dry well. Do not use commercial or abrasive cleaners.

Stock Number: \_\_\_\_\_ Double Towel Bar  
By Moen Incorporated

# MOEN®

25300 AL MOEN DRIVE • NORTH OLMSTED, OH 44070  
CORPORATE HEADQUARTERS: (800) 321-8809 • FAX: (800) 848-6636  
INTERNATIONAL: (440) 962-2000 • FAX: (440) 962-2726  
CUSTOMER SERVICE (USA): 800-882-0116 • FAX: (888) 379-2720  
WWW.MOEN.COM

© 2021 Moen Incorporated. Moen is a registered trademark and Arlys is a trademark of Moen Incorporated. All rights reserved.