

## DESCRIPTION

- Duralock™ quick connect installation
- Metal construction with various finishes identified by suffix
- 1/2" IPS connections

## OPERATION

- Lever style handles
- Maximum handle rotation angle is 90° to full on for either handle
- Hot side counterclockwise to open (clockwise to close)
- Cold side clockwise to open (counterclockwise to close)
- Includes optional hot and cold temperature indicators

## FLOW

- Water usage is limited to these maximum flow rates as indicated by the corresponding product markings
  - ° 1.2 gpm max (4.5L/min) at 60 psi

## CARTRIDGE

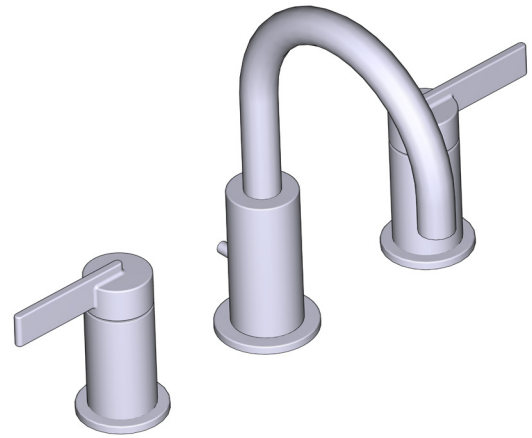
- 1234™ Duralast™ cartridge
- Nonmetallic, nonferrous and stainless steel material

## STANDARDS

- Third party certified to WaterSense®, ASME A112.18.1/CSA B125.1, and all applicable requirements referenced therein
- Certified to NSF 61/9 & 372
- Products marked with 1.2 gpm are compliant with California water efficiency regulations
- Complies with California Proposition 65 and with the Federal Safe Drinking Water Act
- ADA for lever handles

## WARRANTY

- Lifetime limited warranty against leaks, drips and finish defects to the original homeowner
- 10 year limited warranty when used in a multifamily installation
- 5 year limited warranty when used in a commercial installation
- Visit [www.moen.com/support](http://www.moen.com/support) for complete details and limitations



## CIATM

Two Handle Widespread Lavatory Faucet Trim

**MODELS:** T6222 series

### NOTE:

**THIS FAUCET IS DESIGNED TO BE INSTALLED THROUGH 3 HOLES, 1-1/8" (29mm) MIN. DIA.**

**FOR DECK THICKNESS 1-1/2" to 3", USE SERVICE KIT #175709.**

**VALVES INSTALL THROUGH 1-1/4" DIA. HOLE.**

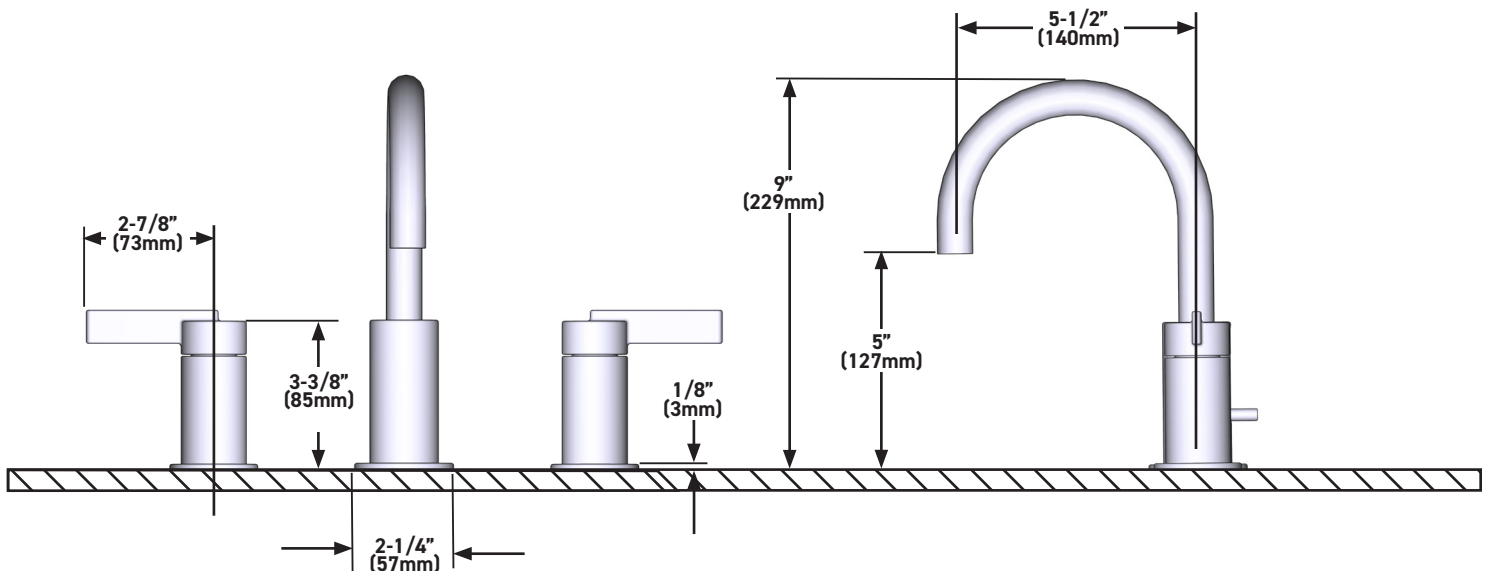
**Valve: 9000, 69000**

ADA



M-PACT™

Certified by IAPMO R&T



**CRITICAL DIMENSIONS** DO NOT SCALE