



Buy it for looks. Buy it for life.®

Specifications

DESCRIPTION

- Plastic chrome plated construction
- Designed to be installed on a 1/2" pipe nipple with IPS threads

OPERATION

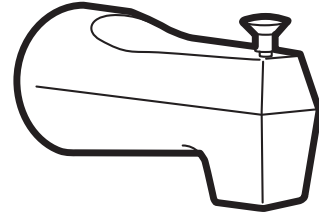
- The diverter is designed to automatically return to the tub fill position when the valve is shut off

STANDARDS

- Designed and manufactured to comply with the requirements of: ANSI/ASME A 112.181 and all applicable requirements referenced therein

WARRANTY

- Warranted for one year against material or manufacturing defects



Diverter Tub Filler

MODEL

3926

FINISH

Chrome

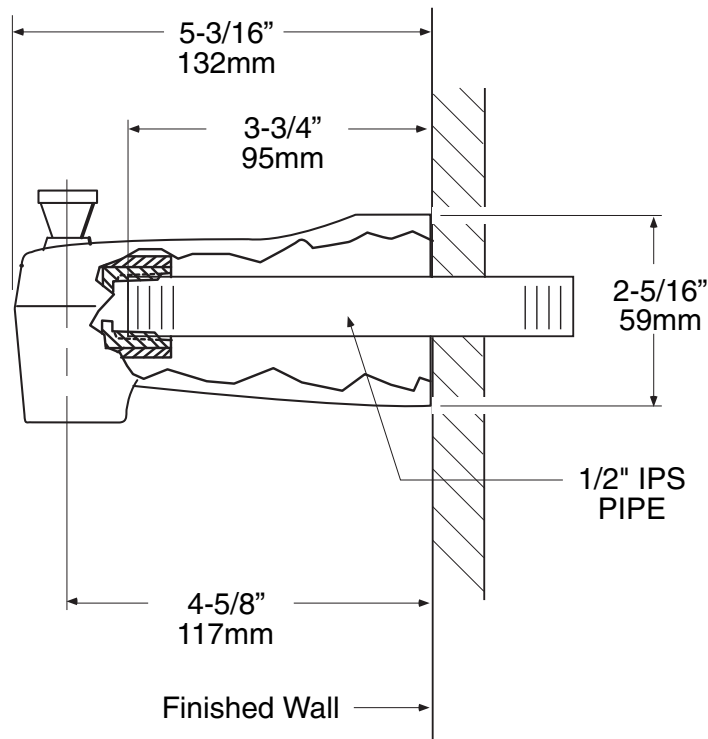
Discontinued

3926A

Antique Brass

3927

Chrome/Pol. Brass



CRITICAL DIMENSIONS

(DO NOT SCALE)

FOR MORE INFORMATION: 1-800-BUY-MOEN

www.moen.com