



Bellera™
13½" one-light sconce
K-31761-SC01

Features

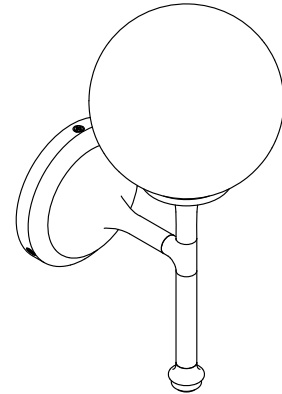
- Globular glass shades extend from rods with flared metal detail in elegant transitional designs suited for any room.
- Coordinates with faucets in the Bellera collection.
- Requires bulb with candelabra (E12) base; T10 bulb recommended (sold separately).
- Suitable for damp locations, per UL 1598.

Material

- Premium metal and glass construction.
- Manufactured with quality materials and complemented with a meticulous finishing process.
- Durable finishes engineered to last and designed to coordinate with KOHLER faucet finishes.

Installation

- Installation hardware included.

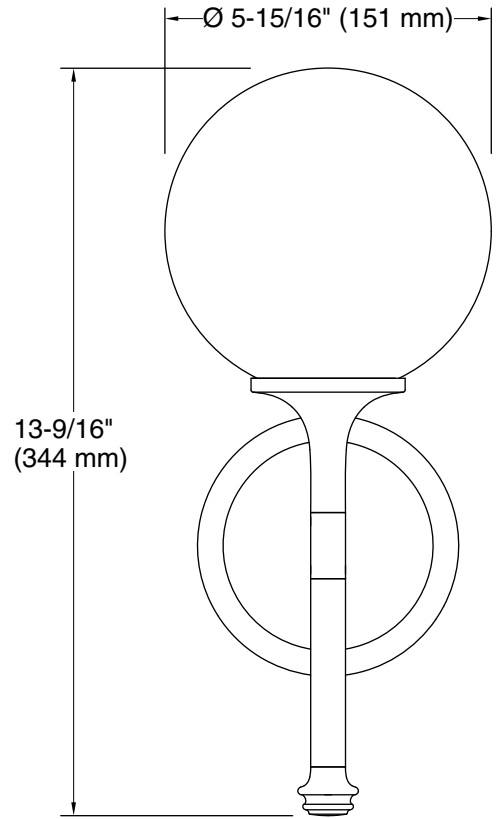
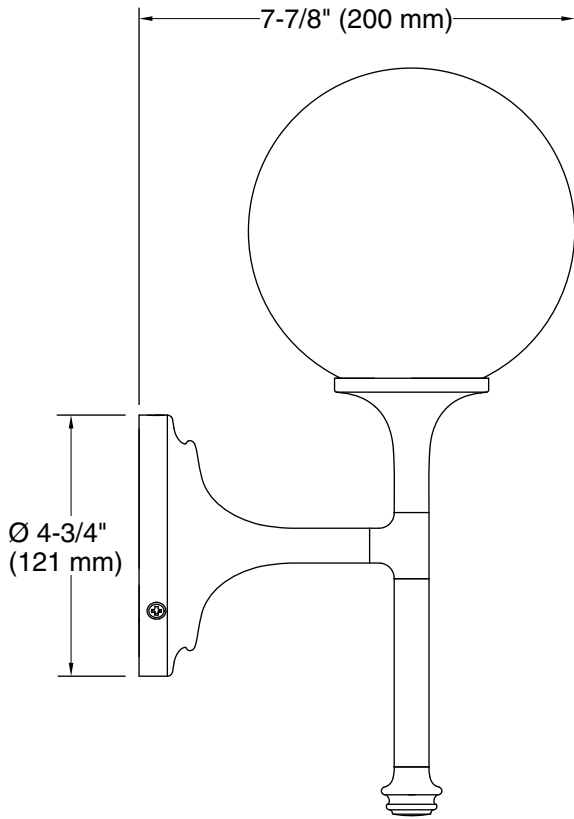


Codes/Standards

UL 1598
CSA C22.2 No. 250

**KOHLER® Indoor Lighting Fixtures
Limited Warranty**

See website for detailed warranty information.



Required Electrical Service

One circuit required.

120 V, 60 Hz

Technical Information

All product dimensions are nominal.

Material: Steel, Aluminum, Zinc, Glass

Number of Lights: 1

Lighting Type: Socket-based

Socket Type: E-12 Candelabra

Number of Shades: 1

Shade Type: Glass - clear