

Features

- Brass construction with brass valve bodies.
- 3-hole installation for 8" to 16" centers.
- Quarter-turn washerless ceramic disc valves.
- Less drain and lift rod.
- Vandal resistant aerated flow
- Wristblade lever handles.
- 5-1/2" (140 mm) spout reach.
- 1.0 gal/min (3.8 l/min) maximum flow rate [max at 60 psi (4.14 bar)].



ADA

CSA B651

OBC

Codes/Standards

ASME A112.18.1/CSA B125.1

NSF/ANSI 61

NSF/ANSI 372

All applicable US Federal and State material regulations

DOE - Energy Policy Act 1992

EPA WaterSense®

ADA

ICC/ANSI A117.1

CSA B651

OBC

KOHLER® One-Year Limited Warranty

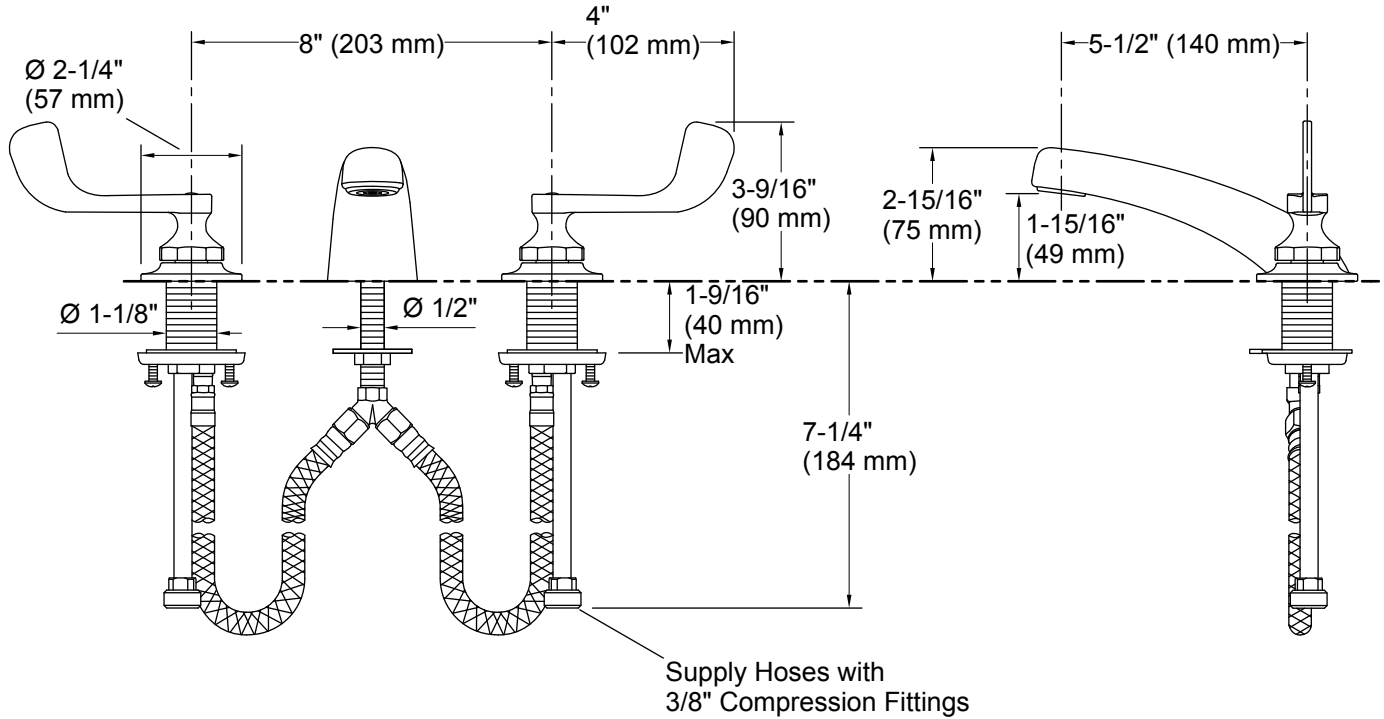
See website for detailed warranty information.

Available Color/Finishes

Color tiles intended for reference only.

Color	Code	Description
-------	------	-------------

	CP	Polished Chrome
--	----	-----------------



Technical Information

All product dimensions are nominal.

Faucet:

Flow rate: 1 gal/min (3.8 l/min)

Pressure: 60 psi (4.1 bar)

Spout:

Spout reach: 5-1/2" (140 mm)

Handle clearance: 4-1/16" (103 mm)

Notes

Install this product according to the installation guide.

ADA, OBC, CSA B651 compliant when installed to the specific requirements of these regulations.