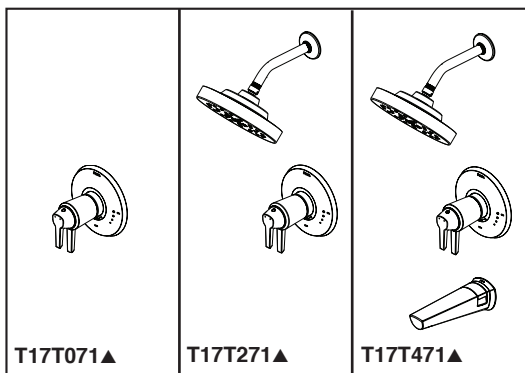




see what Delta can doSM

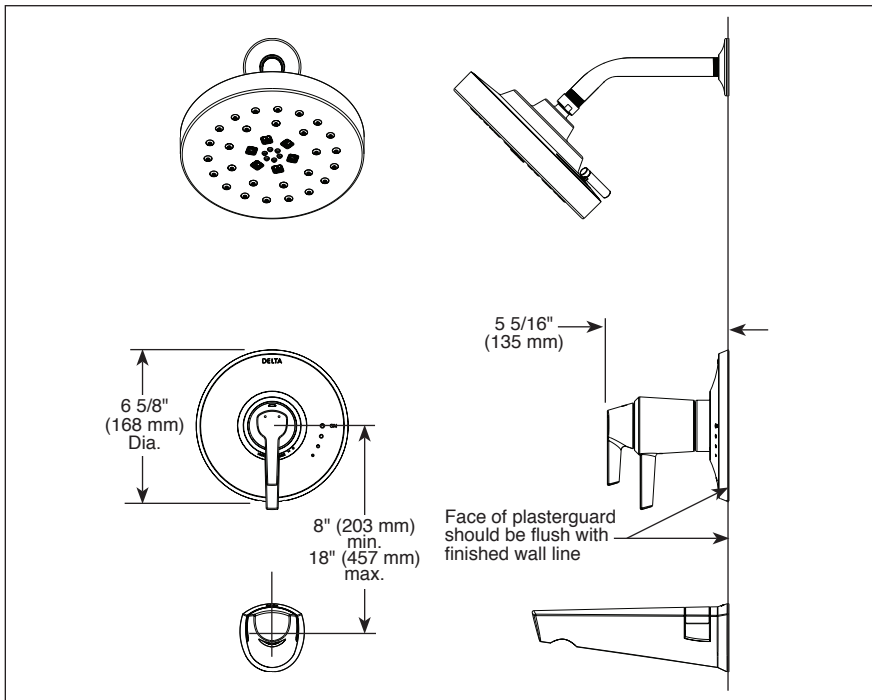
TUB AND SHOWER FAUCET TRIM

- Galeon™ Bath Collection
- Valve Only (T17T071)
- Shower Only (T17T271)
- Tub/Shower (T17T471)



Submitted Model No.: _____

Specific Features: _____



FEATURES:

- TempAssure® 17T Series thermostatic valve cartridge
- H₂Okinetic® UltraSoak™ Spray
- H₂Okinetic® PowerDrench® Spray
- Lumicoat™ Finish (-PR models only)
- Lumicoat™ Finishes easily wipe clean without cleaners and chemicals on the products most commonly touched areas

STANDARD SPECIFICATIONS:

- Thermostatic wax element maintains the outlet temperature to ± 3.6 °F
- For use with MultiChoice® Universal rough valve body (R10000 Series)
- Max flow rate 1.75 gpm @ 80 psi, 6.6 L/min @ 550 kPa
- Tub port maximum flow rate 8.6 gpm @ 60 psi with R10000-UNBX
- Back-to-back installation capability
- Lever volume control handle; temperature adjustment dial
- Field adjustable to limit handle rotation into hot water zone
- All parts replaceable from the front of the valve
- Red/blue pad print temperature indicators on temperature adjustment dial
- Adjusts for up to 1" wall thickness
- Stem extension kit RP75136 can be ordered to allow for an additional 1 3/4" wall thickness. RP75136 ships with chrome escutcheon screws.
- Shower arm overall horizontal length = 5 1/2" (138 mm), including threaded ends
- Thread-on tub spout attachment

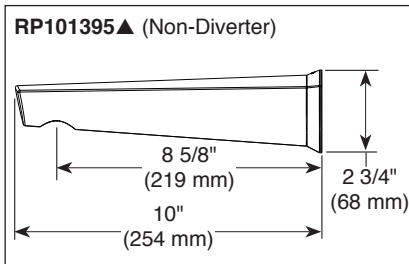
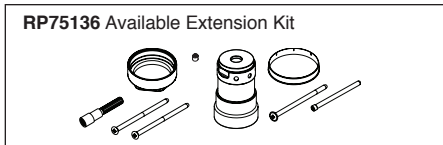
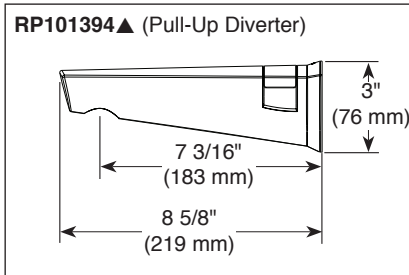
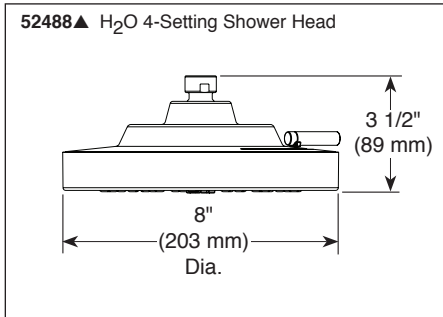
WARRANTY

- Parts and Finish - Lifetime limited warranty; or for commercial purchasers, 10 years for multi-family residential (apartments and condominiums) and 5 years for all other commercial uses, in each case from the date of purchase.
- Electronic Parts and Batteries (if applicable) - 5 years from the date of purchase; or for commercial purchasers, 1 year from the date of purchase. No warranty is provided on batteries.



COMPLIES WITH:

- ASME A112.18.1 / CSA B125.1
- Indicates compliance to ICC/ANSI A117.1 - Valve control only
- EPA WaterSense® - Applies to T17T271, T17T471, and 52488 only



▲ Designate Proper Finish Suffix

Delta reserves the right (1) to make changes in specifications and materials, and (2) to change or discontinue models, both without notice or obligation. Dimensions are for reference only. See current full-line price book or www.deltafaucet.com for finish options and product availability.

DSP-B-T17T071 Rev. B

Delta Faucet Company
 55 E. 111th Street, Indianapolis, Indiana 46280
 350 South Edgeware Road, St. Thomas, ON N5P 4L1
 © 2021 Delta Faucet Company