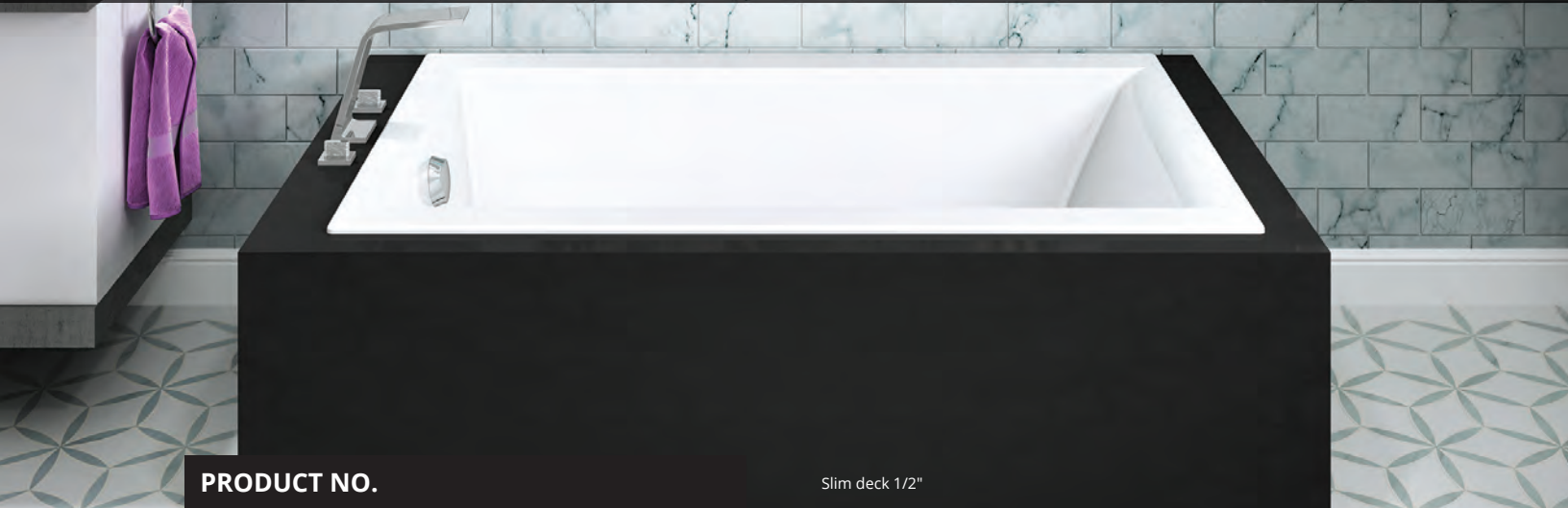


# ORIGAMI 6032 ORIGINAL SERIES

60" x 32" x 21"

The traditional Japanese art of folding paper into symbolic shapes is the inspiration behind the Origami Collection, which stands out for its clean lines and versatility.



## PRODUCT NO.

Slim deck 1/2"

MODEL	TMU	TUB
3 1/4" deck	BOODRI00T-XX	BOODRI00N-XX
2" deck	BOODRI20T-XX	BOODRI20N-XX
Slim deck	BOODRI10T-XX	BOODRI10N-XX

THERMOMASSEUR (TMU) Hydro-thermo massage • Air jet system	\$5,820
Jets	38
1 heated backrest	Included
MiaPlus® Control	Included
BU-Touch Control Application <b>BUTOUCH</b>	\$430
Geysair®	Included
AromaCloud®** <b>BAROMAC</b>	\$490
AromaFlow*** <b>BAROMAF</b> <b>NEW</b>	\$950
Illuzio Chromatherapy <b>BCHRO6</b>	\$925

TUB Soaker	\$3,090
AromaCloud®** <b>BAROMAC</b>	\$490
AromaFlow*** <b>BAROMAF</b> <b>NEW</b>	\$950
Illuzio Chromatherapy <b>BCHRO6</b>	\$925
WarmTouchShell® <b>BWTS</b>	\$1,125
DOT control	Included with therapy

FEATURES			
Installation type	Drop-in: 1/2", 2" & 3 1/4" & Alcove (3 walls): 2"		
No. of bathers	1	Imp. gallons	40
US gallons	48		
STANDARD COLOR			
		Included	
White <b>01</b>	Biscuit <b>02</b>		

## OPTIONS (UPCHARGE APPLICABLE)

FINISH		
UltraVelour Matte Finish (white only) <b>BVEL1</b>		\$650
UNIVERSAL ARMRESTS <b>BGBGU-XX</b>		
White <b>01</b>		\$750
SKIRT (2" deck only)		
	<b>MULTIFIT</b> <b>BSMUL-XX</b>	<b>SJ-1</b> <b>BSJ1-XX</b>
White <b>01</b> , Biscuit <b>02</b>	\$600	\$715
TILE FLANGE (with 2" deck only) (specify right or left)		
Ordered with bath (not installed) <b>BTILEN</b>		\$79
Factory-installed. Right <b>BTILER</b> , Left <b>BTILEL</b> , Special installation <b>BTILEO</b>		\$155
WASTE & OVERFLOW		
	<b>16" x 35"</b> <b>BOVER16-XX</b>	<b>INTE-GRATED</b> <b>BOVERIN-XX</b>
Chrome <b>07</b>	\$260	\$235
White <b>01</b> , Biscuit <b>02</b>	\$290	\$235
Matte White with UltraVelour finish <b>32</b>	N/A	\$235
Brushed Nickel <b>09</b> , Polished Nickel <b>10</b>	\$400	\$235
Oil-rubbed Bronze <b>11</b>	\$400	N/A
Matte Black <b>19</b> , Satin Brass <b>18</b>	N/A	\$355
IF REQUIRED BY CONSTRUCTION CODE		
Brass waste & overflow kit** <b>BDRCOB</b>		\$240
Brass waste kit** <b>BDRCB</b>		\$60
16" x 35" Cable driven brass waste & overflow kit <b>BOVERBR</b>		\$240

Don't forget to indicate the deck height (1/2", 2" or 3 1/4").  
Slim deck are available for Drop-in installation only.  
\* The AromaCloud® is built into the deck (factory installed).  
\*\* When ordered with integrated waste & overflow.  
\*\*\* When ordering an AromaFlow, an Integrated waste & overflow is mandatory (Upcharge). Specify the finish of the waste.



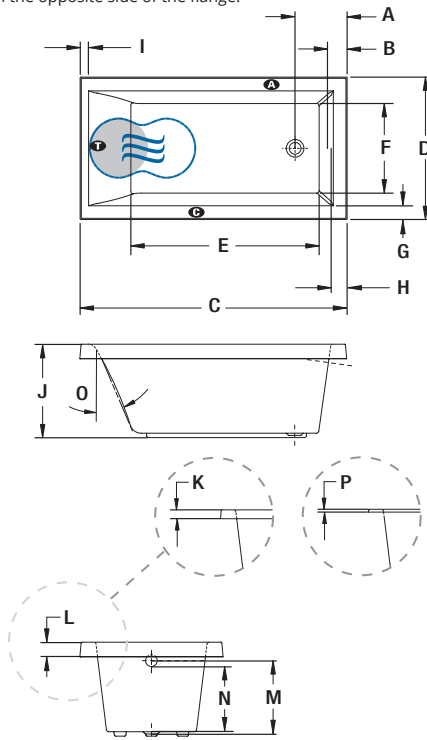
**ORIGAMI 6032 ORIGINAL SERIES**



3 1/4" deck

**INSTALLATION**

**A** When tile flange is added, the AromaCloud® will automatically be installed on the opposite side of the flange.



LETTER	DESCRIPTION	MEASURE
A	Outside edge to center drain	11 5/8"
B	Outside edge to overflow	4 1/4"
C	Total length (with 1/2" deck height)	59 3/4"
	Total length (with 2" deck height)	60"
	Total length (with 3 1/4" deck height)	60 1/4"
D	Total width (with 1/2" deck height)	31 5/8"
	Total width (with 2" deck height)	31 7/8"
	Total width (with 3 1/4" deck height)	32 1/8"
E	Bathing well length	42 5/8"
F	Bathing well width	20 3/8"
G	Deck width	3 5/8"
H	Deck width at drain end	3 7/8"
I	Deck width at backrest	2"
J	Height from bottom of bath to top deck	21"
K	Height from bottom of deck to top deck	2"
L	Height from bottom of deck to top deck	3 1/4"
M	Height from bottom of drain to center of overflow	16"
N	Maximum water level (Waste & overflow 16" x 35")	14 1/4"
	Maximum water level (Integrated waste & overflow)	15 1/4"
	Maximum water level with AromaFlow	14 3/4"
O	Slope of backrest	24°
P	Height from bottom of deck to top deck	1/2"

- A** AromaCloud® position
- C** Control position when factory-installed (Mia® or DOT)
- T** Turbine position (TMU)
- Indicates heated backrest (TMU)
- ☄ Indicates WarmTouchShell® position (TUB)

**TECHNICAL SPECIFICATIONS**

<b>Hot water supply required</b>	The hot water supply should be 70% or more of the bath's total water capacity.
<b>Turbine</b>	Access to the pump must be at least 18" x 22". <b>Standard connection is 20 A, 120 V, 60 Hz</b> , dedicated line with a Ground-Fault Circuit Interrupter (GFCI). <b>For any additional option, a second line is needed 15 A, 120 V, 60 Hz</b> , dedicated line with a GFCI. Air vent necessary: 2" x 4" minimum.
<b>Others</b>	<ul style="list-style-type: none"> <li>- The Geysair® is located on the same side as the heated backrest. It must <b>NOT be relocated</b>. It must be <b>connected to the hot water supply</b> and be accessible (provide access).</li> <li>- Optional tile flange with 2" deck height only (specify right or left).</li> <li>- The water level will vary when an AromaFlow or an Integrated waste &amp; overflow is installed.</li> </ul>

Our products must be installed by certified professionals only and according to our Owner's Manual as well as federal, provincial/state and local building codes and regulations ([www.bainultra.com/dealers/dealer-documentation-and-catalog](http://www.bainultra.com/dealers/dealer-documentation-and-catalog)).

<b>Cutting template</b>	# 90000048
<b>Approx. shipping weight</b>	130 lb
<b>Turbine power</b>	550 W
<b>Air heater</b>	600 W
<b>WARRANTY</b>	
Controls-LED-Geysair*	5 years
Bath & turbine*	20 years

\* Some restrictions apply | [www.bainultra.com/warranty](http://www.bainultra.com/warranty)

The specifications shown indicate the outer edge dimension and the inside bathing capacity dimension measured at air jets' height. The manufacturer accepts a 1/4" [0.64 cm] variance. There are variations on each product and specifications are subject to change as we improve upon our product as required. The dimensions needed for site preparation and structure building will differ. BainUltra® assumes no responsibility for preparatory work done prior to the product being on site.