

67" ATLIN ACRYLIC ROLL TOP TUB

Cat. No.
ATR67



L: 67"
W: 29-1/2"
H: 24-1/4" (from floor)
18" (from bottom of tub)

Water Depth: 11-1/2" to OF

Features:

- ▶ Outside is textured fiberglass reinforced polyester coated with two-part epoxy
- ▶ 3-3/8" centers in tub wall with continuous rolled rim
- ▶ Pre-drilled overflow hole
- ▶ Cast aluminum ball and claw feet
- ▶ Feet are attached and leveled before shipment
- ▶ Tub is thoroughly inspected before shipment



Tub Color

WH White

Foot Finishes

BQ Bisque	BN Brushed Nickel
BL Black	ORB Oil Rubbed Bronze
PB Polished Brass	PN Polished Nickel
CP Polished Chrome	WH White

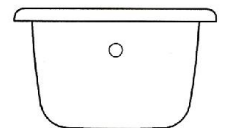
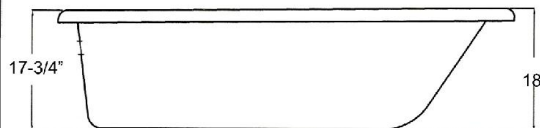
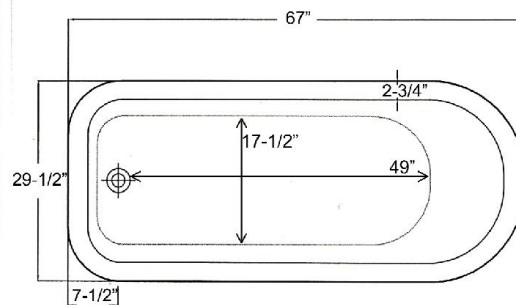
Custom Colors Available (inside of tub is always white enamel):
Painted bathtubs are considered "special order" and are not returnable
\$160 Bisque or Black \$250 Designer Color

The following is recommended for ATR67 tubs:

- Tub wall-mounted faucets: #4022, 4025 or 4035
- Double offset bath supplies: part #5576
- Leg tub drain: part #5599

**Do Not Use with rigid, freestanding
supplies.**

Gallon Capacity: 50
Shipping Weight: 150 lbs.
Empty Weight: 100 lbs.
Filled Weight: 518 lbs.



Dimensions of fixture are nominal and specifications subject to change without notice.

TUB FILLER, DIVERTER, HAND SHOWER AND SHOWER RING

Cat. No.

4144



Shower Rod: 48" W x 24" D
 Riser Height: 60"
 Wall Support: 10" adjustable
 Ceiling Support: 30" adjustable

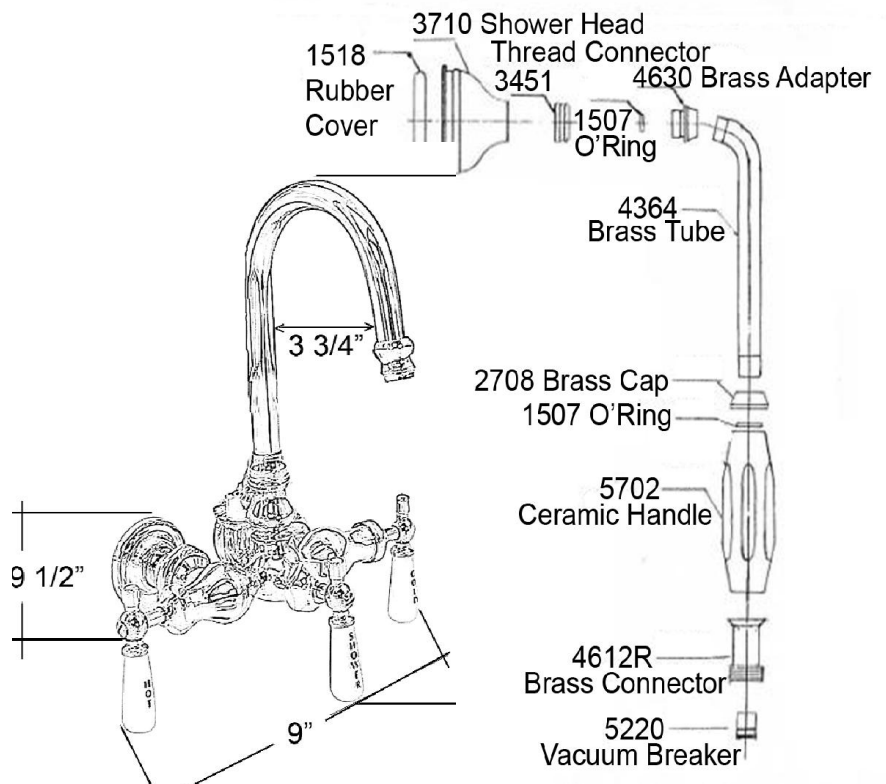
Features:

- ▶ Code gooseneck spout
- ▶ Handheld shower with cradle and 59" hose
- ▶ Check valve in handshower
- ▶ 1/4 Turn ceramic disc cartridges
- ▶ Porcelain lever handles
- ▶ 3-3/8" Centers for tub wall mount installation
- ▶ Flow rate for spout is 3.68 GPM
- ▶ Flow rate for handshower is 2.5 GPM
- ▶ Includes ceiling and wall support assemblies
- ▶ Supports adjustable by cutting
- ▶ Includes riser and shower ring
- ▶ Shower head not included
- ▶ For acrylic tub use only
- ▶ For cast iron tub use: Part# 4143

Finishes

BP Polished Brass
 CP Polished Chrome

PN Polished Nickel
 SN Brushed Nickel



Dimensions are nominal and may vary. Dimensions and specifications subject to change without notice.

DOUBLE OFFSET BATH SUPPLIES

Cat.No.
5576



H: 24"

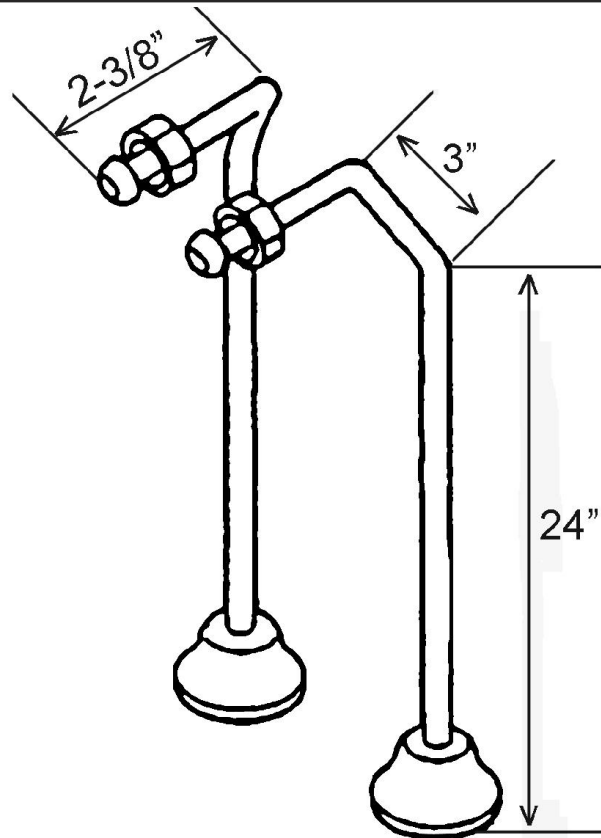
OD: 1/2"

Features:

- ▶ For use with faucets mounted to the tub wall
- ▶ No Stops
- ▶ 1/2" Compression inlet
- ▶ 3/4" Compression outlet
- ▶ 0.500" Outer diameter
- ▶ 0.440" Inner diameter
- ▶ 0.030" Thickness of the wall
- ▶ Available in 5 finishes

Finishes:

CP	Polished Chrome	PN	Polished Nickel
PB	Polished Brass	BN	Brushed Nickel
ORB	Oil Rubbed Bronze		



Use on concrete floors requires special installation. We recommend using a plumbing professional.

Dimensions and specifications subject to change without notice.

LEG TUB DRAIN

Cat. No.
5599



Escutcheon Height: 1-1/4"

Features:

- ▶ Twist-and-lift stopper
- ▶ Includes deep escutcheon
- ▶ Height adjustable 15"-18"
- ▶ Depth adjustable 12"-14"
- ▶ Includes deep escutcheon
- ▶ Available in 5 Finishes

Finishes:

- CP Polished Chrome
- BP Polished Brass
- SN Brushed Nickel
- PN Polished Nickel
- ORB Oil Rubbed Bronze

#5599 Leg Tub Drain



Dimensions and specifications subject to change without notice.