

18" WADE ROUND COPPER BAR SINK

Cat. No
PSCSB3028



Basin Dimensions:

Diameter: 18"

Height: 8-1/4"

***Please do NOT cut hole without
template or actual product.***

Interior Bowl Dimensions:

Basin Interior Diameter: 15-7/8"

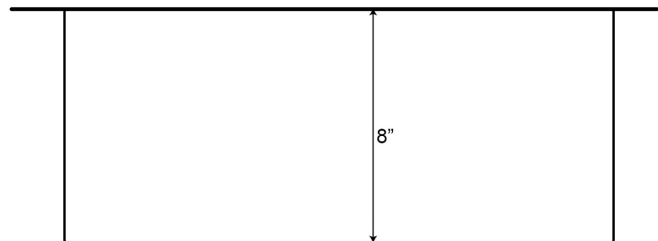
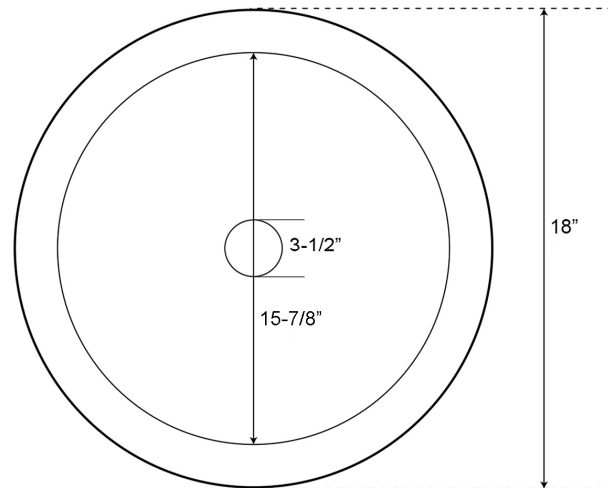
Basin Depth: 8"

Features:

- ▶ Constructed of solid 16 gauge copper
- ▶ Hammered interior
- ▶ Accommodates 3-1/2" drain
- ▶ 1-1/8" Flat rim
- ▶ Flange measures 4-1/2" in diameter and 1/4 in height
- ▶ Drain sold separately
- ▶ May be used as either an undermount or a drop-in
- ▶ Patina applied to copper using french hot process
- ▶ Hand polished finish
- ▶ Copper is a living finish and will patina over time

Finish:

AC Antique Copper



Dimensions of fixture are nominal and may vary within the range of tolerances established.