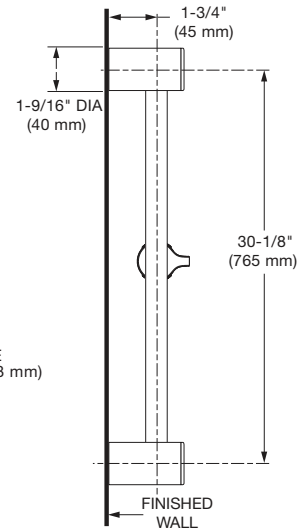
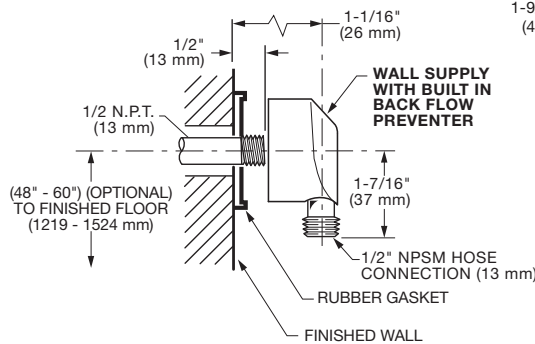
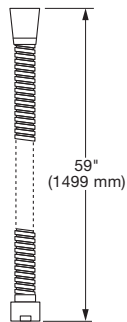
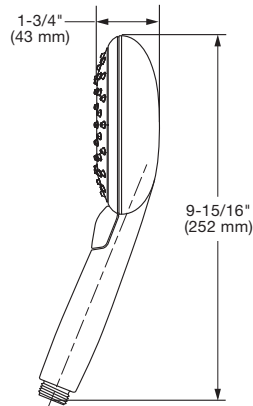


**MODEL NUMBER:**

☐ **1660.774 Shower System Kit 1.8 version**

Includes:

- |                      |          |
|----------------------|----------|
| • Spectra+ Handheld™ | 9038.154 |
| • Slide Bar          | 1660.730 |
| • Hose               | 8888.035 |
| • Wall Supply        | 8888.037 |



**GENERAL DESCRIPTION:**

Complete shower system kit includes: a wall supply with 1/2" NPT female inlet, 1/2" NPSM male outlet; a 59" (1500 mm) shower hose; a Spectra+ Handheld water saving hand shower; and a 30" all metal slide bar. 5" (127 mm) Hand shower adjusts from Drench to Sensitive to Powerwash® to Massage. Pressure compensating flow control device. Slide bar features an adjustable shower holder which can be set at any height or position along the bar and angle up to 45°. Kit includes double check valves to prevent cross flow of hot and cold water.

**PRODUCT FEATURES:**

**Water Saving:** WaterSense certified.

**Pressure Compensating Flow Control Device:** Provides consistent flow over a wide pressure range.

**Variety of Spray Functions:** Allows the user to select the spray functions best suited to their needs.

**HAND SHOWER**

**Lightweight, Ergonomic Design:** For a sure grip even with wet, soapy hands.

**SLIDE BAR**

**Simple Height Adjustment:** Allows positioning of the personal shower anywhere along the bar.



EPA  
**WATERSENSE®**  
 CERTIFIED

**SUGGESTED SPECIFICATION**

Shower system shall feature a wall supply with 1/2" NPT female inlets, 1/2" NPSM male outlet, 59" hose, hand shower and a 30" all metal slide bar. Hand Shower shall be WaterSense certified in water usage. Hand Shower shall have a pressure compensating control device. Kit shall include double check valves to prevent cross flow of hot and cold water. Fitting shall be American Standard Model # 1660.774.\_\_\_\_\_.



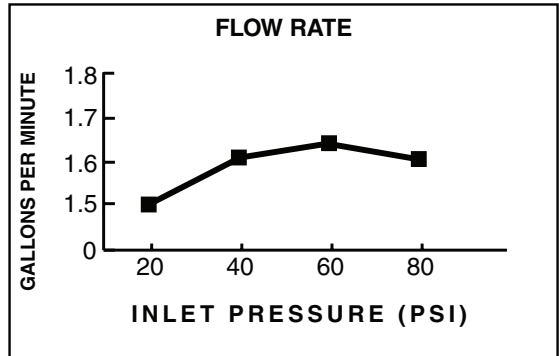
# SPECTRA+ HANDHELD™ KIT

## 4-FUNCTION HAND SHOWER KIT

### CODES AND STANDARDS

These products meet or exceed the following codes and standards:

**ASME A112.18.1**  
**CSA B125.1**



Product Number	Description	Finish				
		Brushed Nickel	Polished Nickel	Legacy Bronze	Polished Chrome	Matte Black
		295	013	278	002	243
1660.774	Spectra+ Handheld™ Kit. Contains Spectra+™ hand shower, slide bar, hose and wall supply.					

PART OF **LIXIL**