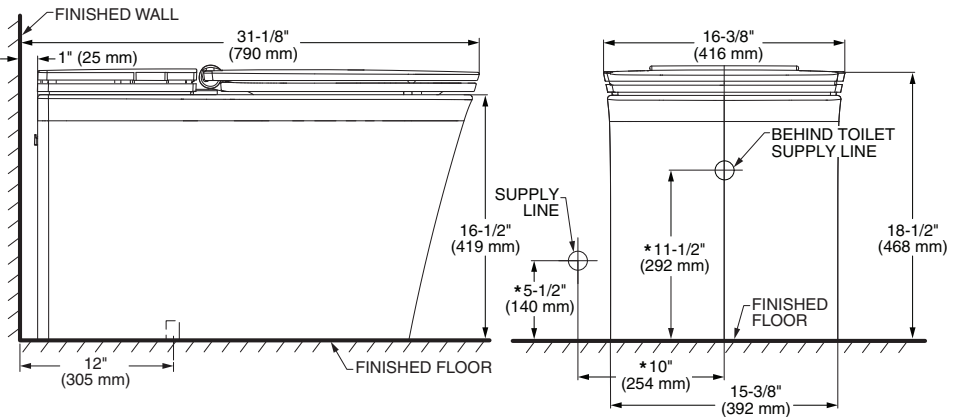


Studio® S Right Height®
Elongated Low-Profile Toilet with Seat

2548A100

- High performance and quiet PowerFlo™ flushing system requires no electrical power and uses standard inlet water connection
- 12" (305 mm) rough-in
- Right Height elongated siphon action bowl with smooth-sided, concealed trapway
- Ultra-high efficiency toilet (UHET) 1.0 gpf/3.8 Lpf
- Meets EPA WaterSense® and MaP PREMIUM criteria
- Generous 8-1/4" x 9-1/4" (210 x 235 mm) water surface area
- 16-1/2" (419 mm) rim height
- 2" (51 mm) fully glazed trapway
- Color matched tank top actuator
- Includes slow-close seat and cover with easy lift-off feature
- Obtains best 1,000g MaP Score** at 1.0 gpf
- Lifetime warranty on chinaware, 5-year warranty on all mechanical parts, 1 year warranty on seat
- Design coordinates with Studio® S suite of fixtures and faucets



Nominal Dimensions:
 31-1/8" x 16-3/8" x 18-1/2"
 (790 x 416 x 468 mm)

Fixture and toilet seat only, supply sold separately

NOTES:
 THIS COMBINATION IS DESIGNED TO ROUGH-IN AT A MINIMUM DIMENSION OF 305MM (12") FROM FINISHED WALL TO C/L OF OUTLET.
 * DIMENSIONS SHOWN FOR LOCATION OF SUPPLY ARE SUGGESTED. SUPPLY NOT INCLUDED WITH FIXTURE AND MUST BE ORDERED SEPARATELY.

IMPORTANT: Dimensions of fixtures are nominal and may vary within the range of tolerance established by ANSI Standard A112.19.2. These measurements are subject to change or cancellation. No responsibility is assumed for use of superseded or voided pages.

Compliance Certifications - Meets or Exceeds the Following Specifications:

- ASME A112.19.2/CSA B45.1 For Vitreous China Fixtures
- US EPA WaterSense® Specification for UHETs

To Be Specified:
 Color: White
 Supply with Stop:

** Maximum Performance (MaP) testing performed by IAPMO R&T Lab. MaP Report conducted by Gauley Associates Ltd. and Koeller and Company.

