



Submittal Sheet

Aquatic products may be specified as Lasco Bathware.

3636BFSMA

521 CMR Compliant*

CUSTOMER: _____
 JOB NAME: _____
 PO #: _____
 QUOTE #: _____ QUANTITY: _____
 SHIP TO: _____

_____/_____/_____
 PLUMBING CONTRACTOR APPROVAL DATE

_____/_____/_____
 GENERAL CONTRACTOR APPROVAL DATE

_____/_____/_____
 ENGINEER APPROVAL DATE

_____/_____/_____
 ARCHITECT APPROVAL DATE

STANDARD FEATURES

- Code compliant when fully equipped and installed according to guidelines
- Barrier-free design
- Center drain location
- Slip resistant, textured bottom [ASTM F-462]

CONFIGURATION

- Fully equipped-521CMR*
 Seat location LH RH
 Includes One 22" x 1 1/4" dia. (side wall) and one 26" x 1 1/4" dia. (back wall)
 etched grab bars; white-cushioned, rectangular fold-up seat; pressure balancing
 mixing valve and hand-held shower assembly (on back wall offset seat), per
 521 CMR guidelines

CUSTOM OPTIONS (not available if 521 CMR config. is selected)

- Fixture Wall Left Right Back Wall
- Etched grab bars: One 22" x 1 1/4" dia. (side wall)
 and one 26" x 1 1/4" dia. (back wall)
- Hand-held shower assembly with 30" slide bar and 60" hose
- Pressure balancing mixing valve

OPTIONAL ACCESSORIES (available for all models)

- Soap dish
- Curtain rod
- Shower curtain
- Vinyl flexible dam
- Removable threshold
- Brass drain

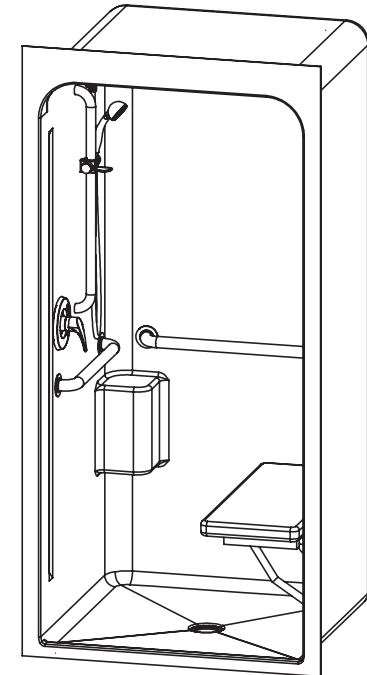
Colors:

- Standard White
- Upgraded Biscuit
- Other (contact customer service for custom color options)
- Additional accessories:

For pricing of units and additional options, reference the Aquatic Price Book.

*This configuration may not be compliant in all applications.

Call customer service to confirm MA code compliance.



IMPORTANT: ADA compliant showers with NO interior threshold will have water escape onto the bathroom floor. Aquatic highly recommends you take the following precautions:

1. Install only the minimum number of ADA units without an interior threshold required for each job. If possible install Aquatic's accessible models that have a 1/2" interior threshold to reduce the amount of water that escapes from the shower.
2. When installing units with NO interior threshold, install a FLOOR DRAIN to control the water that escapes onto the bathroom floor.
3. Depending on your application, you may choose to install Aquatic's vinyl flexible dam or removable threshold, which helps better retain water within the shower. However, these items may not necessarily meet ADA or other code requirements. Always confirm code compliance with your local building authority.

Int. Dim.	36 W x 36 D x 80 7/16 H
Ext. Dim.	41 W x 37 D x 83 3/4 H
Skirt Ht.	1 3/4 skirt, 1/2 interior threshold
Packaged Wt.	182 lbs. gross
Material	Premium cast acrylic
Warranty	Acrylic Finished Products — Five Years

inches

To complete your order, this document must be signed and faxed to the Aquatic Centralized Customer Service Center.

Fax (866) 544-5353 • Phone (800) 945-2726

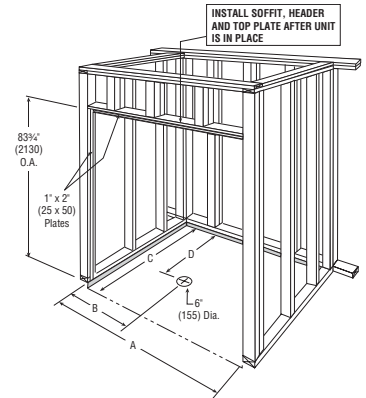
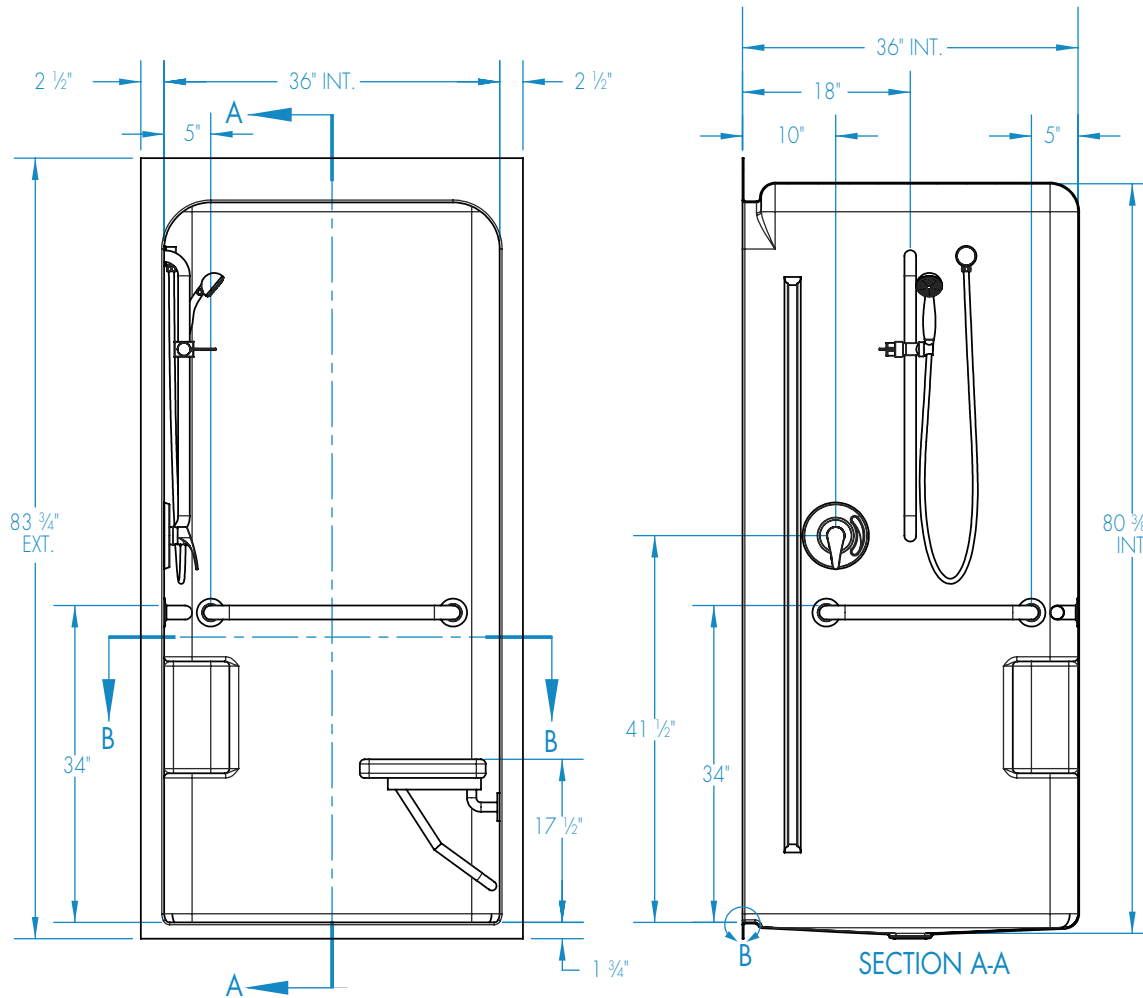


Submittal Sheet

Aquatic products may be specified as Lasco Bathware.

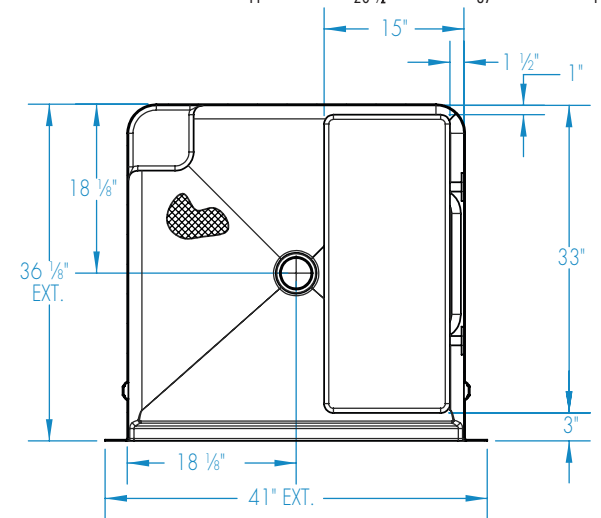
3636BFSMA 521 CMR Compliant*

Please indicate changes needed.

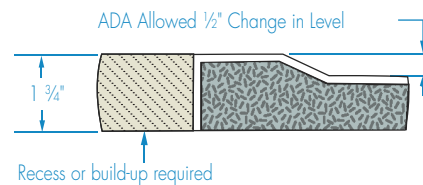


FRAMING DIMENSIONS Inches

A	B	C	D
41	20 1/2	37	19



SECTION B-B



DETAIL B

Shell tolerance: +0, - 3/16" All other tolerances: ± 1"